

Sales Catalog

Cabinets



5 Year Limited Warranty

Vendor warrants to the original consumer purchaser that cabinetry, door hinges, and drawer glides will be free from defects in material and workmanship under normal use and service for a period of Five (5) years from purchase date (Proof of Purchase is required). This warranty is not transferable and only applicable to product used for residential purposes. Representatives of this cabinet line do not have the authority to change or enlarge this warranty.

This warranty does not cover normal wear and tear, damage or defects caused by accidents, misuse, abuse, or lack of necessary maintenance; nor does it cover alteration, modification, improper installation, improper handling / storage, environmental conditions, nor any labor expenses.

Vendor, at our option, may elect to repair or replace with a functionally equivalent product any product covered by this warranty. Some replacement parts are subject to availability and may differ from original parts received. Return of defective product may be required for a replacement to be issued. Repair parts or replacement parts are at the expense of the vendor, but customer shall bear all other expenses. These expenses may include, but are not limited to, cost of removal and re-installation of product, labor expenses, etc.

Just as no two trees are alike, no two pieces of wood are alike. The variation in color and grain pattern in wood adds to its natural beauty and is not considered an imperfection. Environmental factors, including but not limited to artificial / natural light, moisture, cleaners, smoke, etc, may cause the darkening or mellowing of a cabinet over time. This is a natural process and can be expected. This warranty does not cover the natural aging or darkening / mellowing of wood color, the inherent growth characteristics of, or variation in wood.

Some of the cabinet lines feature a glazed finish that accentuates the door and drawer front profiles. This glaze is hand-applied over a stain or paint and may, due to the nature of application, consist of random drips, runs, etc. As glazing is a hand-applied process there will be variations in color and appearance from door to door and cabinet to cabinet. This is not considered a defect and is considered normal with hand applied finishes.

It is the nature of wood to expand and contract to varying degrees depending on climate conditions. As a result, cabinet lines with painted surfaces may show fractures in the paint at joints. This is normal and is not considered a defect.

This warranty is valid only in the United States of America and is not transferable. All implied warranties are limited in duration to the shorter of the period provided by law or the period of this warranty. To the extent permitted by law, this warranty excludes special, incidental, or consequential damages. Some states do not allow the exclusion or limitations of incidental or consequential damages or limitations on how long an implied warranty lasts, so the above limitations or exclusions may not apply to you. This warranty gives you specific legal rights; you may have other rights which vary from state to state.

To exercise this warranty, please contact the supplier from whom you purchased the product. Report, in writing, all defects claimed and include proof of purchase documentation.

Special Features

FEATURES	ASP	BC	HS	MO	NG	PS	WPG	WS	MBS	FS	CS
Solid Hardwood Face Frames	◆	◆	◆	◆	◆	◆	◆	◆	◆	◆	◆
¾" Plywood Shelves	◆	◆	◆	◆	◆	◆	◆	◆	◆	◆	◆
No Particle Board	◆	◆	◆	◆	◆	◆	◆	◆	◆	◆	◆
Butt-Style Doors	◆	◆	◆	◆	◆	◆	◆	◆	◆	◆	◆
Stainless Steel Baskets	◆	◆	◆	◆	◆	◆	◆	◆	◆	◆	◆
½" Plywood Construction	◆	◆	◆	◆	◆	◆	◆	◆	◆	◆	◆
Cabinet Box & Shelves Stain Matched	◆	◆	◆	◆	◆	◆	◆	◆	◆	◆	◆
Natural Wood Box & Shelves			◆								
Engineered HDF/Veneer Center Door Panel	◆					◆		◆	◆	◆	
Raised Panel Doors	◆	◆		◆							
Flat Panel / Shaker Style Doors			◆		◆	◆	◆	◆	◆	◆	◆
European Concealed Hinges				◆							
Soft Close Adjustable Concealed Hinges	◆	◆	◆		◆	◆	◆	◆	◆	◆	◆
¾" Solid Wood Dovetail Drawers	◆	◆	◆	◆	◆	◆	◆	◆	◆	◆	◆
Full Extension Glides	◆	◆	◆	◆	◆	◆	◆	◆	◆	◆	◆
Undermount Soft Close Drawer Glides	◆	◆	◆	◆	◆	◆	◆	◆	◆	◆	◆
Full Overlay	◆	◆	◆		◆	◆	◆	◆	◆	◆	◆
Partial Overlay				◆							
Stain Matched Drawer Boxes & ROTs				◆							
Natural Wood Drawer Boxes & ROTs	◆	◆	◆		◆	◆	◆	◆	◆	◆	◆

* GLAZED MOCHA CAN BE UPGRADGED TO SOFT CLOSE *

COLOR KEY

Aspen White	=	ASP	Bristol Chocolate	=	BC	Hickory Shaker	=	HS
Glazed Mocha	=	MO	Winchester Grey	=	NG	Platinum Shaker	=	PS
West Point Grey	=	WPG	White Shaker	=	WS	Midnight Black Shaker	=	MBS
Fresh Sage	=	FS	Carmel Shaker	=	CS			

Premium Quality Cabinets

Standard Special Features At No Cost To You

- Solid hardwood door frames and face frames with hardwood or engineered center panels.
 - White Shaker, Aspen White, Platinum Shaker, Midnight Black Shaker and Fresh Sage are composed of solid HDF to ensure the highest quality painted shaker style doors.
- Cabinet boxes are ½” plywood construction including sides, tops, and bottoms for lasting durability and strength.
- Most cabinet boxes are match stained and finished inside and out.
- ¾” Plywood shelves are standard in all cabinets.
- Soft Close full extension under mount drawer glides are standard on all lines.
- Soft close door hinges are standard on cabinets except for Glazed Mocha (which can be upgraded to Soft close door hinges).
- Bristol Chocolate, Aspen White, West Point Grey, Winchester Grey, White Shaker, Platinum Shaker, Hickory Shaker, Midnight Black Shaker, Fresh Sage, and Carmel Shaker are full overlay cabinet lines.
- Butt-style doors eliminate the center stile between the doors and allow for easier use of the cabinet.
- Stainless steel baskets are standard in all lazy susan cabinets.
- ¾” Hardwood Dovetail Drawer Boxes standard on all cabinets.



Huge Stock

Our fully-stocked 750,000 square foot warehouse means faster fulfillment on most orders.



Table of Contents

Cabinet Styles	1-22
Aspen White	1-2
Bristol Chocolate	3-4
Hickory Shaker	5-6
Glazed Mocha	7-8
Winchester Grey	9-10
Platinum Shaker	11-12
West Point Grey	13-14
White Shaker	15-16
Midnight Black Shaker	17-18
Fresh Sage	19-20
Carmel Shaker	21-22

Walls	23-34
Single Door Wall Cabinets	23
Double Door Wall Cabinets	24
24" Deep Wall Cabinets	25
Three Drawer Wall Cabinets	26
Easy Reach Wall Cabinets	26
Blind Corner Wall Cabinets	27
18" High Single Door Cabinets	27
Angled End Wall Cabinets	28
Diagonal Corner Wall Cabinets	28
Spice Drawer Wall Cabinets	29
Microwave Wall Cabinets	29
Double Door Stacker Wall Diagonal Cabinets	30
Double Door Stacker Wall Oven Cabinet	30
Double Decorative Stacker Boxes	31
Single Decorative Stacker Wall Cabinets	32
Bridge Wall Cabinets	33
Refrigerator Wall Cabinets	34

Bases	34-45
Single Door & Drawer Base Cabinets	35
Double Doors & Single Drawer Base Cabinets	35
Double & Single Door Full Height Base Cabinets	36
Double Doors & Drawers Base Cabinets	36
Drawer Base Cabinets	36
Farm Sink Base Cabinets	37
Sink Base Cabinets	37
Diagonal Corner Sink Base Cabinets	38
Utility Base Cabinets	39
Lazy Susan Corner Base Cabinets	39
Blind Corner Base Cabinets	39
Corner Drawers Base Cabinets	40
Angled End Base Cabinets	41
Full Height/Tray Base Cabinets	41
Spice Drawers Base Cabinets	42
2 Drawer Base Cabinet	43
Easy Reach Base Cabinet	43
Spice Rack Base Cabinet	44
Base Microwave Cabinet	45

Talls	47-48
18" Wide Utility Cabinets	47
24" Wide Utility Cabinets	47
Universal Oven Cabinets	48
Top Wall Cabinet for Split Pantries	48
Bottom Wall Cabinet for Split Pantries	48

Accessories	49-58
Wine Storage Cube	49
Lattice Wine Rack	49
Stem Glass Holder	50
Roll Out Trays	51
Finished Floating Shelf	51
Arched Valance	52
Under Counter Knee Drawers	52
Appliance Garage	53
Corbels	53
Plate Rack	54
Toiler Topper	54
Single Glass Doors	55
Set of Double Glass Doors	55
Single Glass Diagonal Doors	56
Range Hood Fronts	57
Single and Double Trash Can Shelves	57

Panels, Fillers & Trims	59-70
Wall End Panel	59
Base End Panel	59
Refrigerator End Panel	60
Fluted Wall and Base Fillers	61
Wall and Base Fillers	62
Decorative End Panels	63
Toe Kick	63
Island Panels	64
Shoe Molding	64
Rope Insert Moulding	65
Crown Moulding	65
Scribe Moulding	66
Light Rail Moulding	66
Cove Crown Moulding	67
Outside Corner Moulding	67
Stained Plywood	68
Wall Skin	68
Tall Skin	68
Base Skin	68
Decorative Base Moulding	69
Batten Moulding	69
Split Corner Decorative Leg	69
Matching Tall End Panel	70
Plywood Banded Edge	70
Bead Board	70
Matching Vanity End Panel	70

Vanities	71-74
Vanity Drawers Base Cabinets	71
Vanity Sink Base Cabinets	72
Vanity Base	73
Single Door Vanity Cabinets	73
Double Door Vanity Cabinets	74
Double Sink Vanity Cabinets	74

ADA	75-76
Base Cabinets	75
Sink and Vanity Cabinets	76

Miscellaneous	77-78
Touch-Up Kits	77
Display / Sample Doors	78

Index	81-100
--------------------	--------

Aspen White (ASP)

Wood Species:
Solid Maple / Birch

FaceFrame:
Solid Wood

Door Style:
Raised Panel
(Engineered HDF Construction)

Box Construction:
1/2" Solid Plywood

Drawer Glide:
Undermount Soft Close

Drawer Head:
5-piece, Matches Door Profile

Drawer Box:
3/4" Solid Wood Dovetail

Shelves:
3/4" Adjustable Shelves

Hinge:
Soft Close 6 Way Adjustable
Concealed Hinge

Overlay:
Full

Cabinet Interior:
Color Matched Box & Shelves,
Natural Drawers

Cabinet Exterior:
Color Matched



Due to printing variations the pictures may vary slightly from true cabinet color.

Aspen White



Bristol Chocolate (BC)

Wood Species:
Solid Maple / Birch

FaceFrame:
Solid Wood

Door Style:
Raised Panel w/ Glazing

Box Construction:
1/2" Solid Plywood

Drawer Glide:
Undermount Soft Close

Drawer Head:
5-piece, Matches Door Profile

Drawer Box:
3/4" Solid Wood Dovetail

Shelves:
3/4" Adjustable Shelves

Hinge:
Soft Close 6 Way Adjustable
Concealed Hinge

Overlay:
Full

Cabinet Interior:
Color Matched Box & Shelves,
Natural Drawers

Cabinet Exterior:
Color Matched



Due to printing variations the pictures may vary slightly from true cabinet color.

Bristol Chocolate



Hickory Shaker (HS)

Wood Species:

American Hickory

FaceFrame:

Solid Wood

Door Style:

Shaker Style

Box Construction:

1/2" Solid Hickory

Drawer Glide:

Undermount Soft Close

Drawer Head:

Solid Slab

Drawer Box:

3/4" Solid Wood Dovetail

Shelves:

3/4" Adjustable Shelves

Hinge:

Soft Close 6 Way Adjustable
Concealed Hinge

Overlay:

Full

Cabinet Interior:

Natural Box, Shelves & Drawers

Cabinet Exterior:

Natural Hickory



If knotty appearance is desired... applicable end panels must be purchased.
Due to printing variations the pictures may vary slightly from true cabinet color.

Hickory Shaker



Glazed Mocha (MO)

Wood Species:
Solid Maple / Birch

FaceFrame:
Solid Wood

Door Style:
Raised Panel w/ Glazing

Box Construction:
1/2" Solid Plywood

Drawer Glide:
Undermount Soft Close

Drawer Head:
5-piece, Matches Door Profile

Drawer Box:
3/4" Solid Wood Dovetail

Shelves:
3/4" Adjustable Shelves

Hinge:
6 Way Adjustable European
Concealed Hinge

Overlay:
Partial

Cabinet Interior:
Color Matched

Cabinet Exterior:
Color Matched



Due to printing variations the pictures may vary slightly from true cabinet color.

Glazed Mocha



Winchester Grey (NG)

Wood Species:
Solid Maple / Birch

FaceFrame:
Solid Wood

Door Style:
Flat Panel w/ Decorative Edge

Box Construction:
1/2" Solid Plywood

Drawer Glide:
Undermount Soft Close

Drawer Head:
5-piece, Matches Door Profile

Drawer Box:
3/4" Solid Wood Dovetail

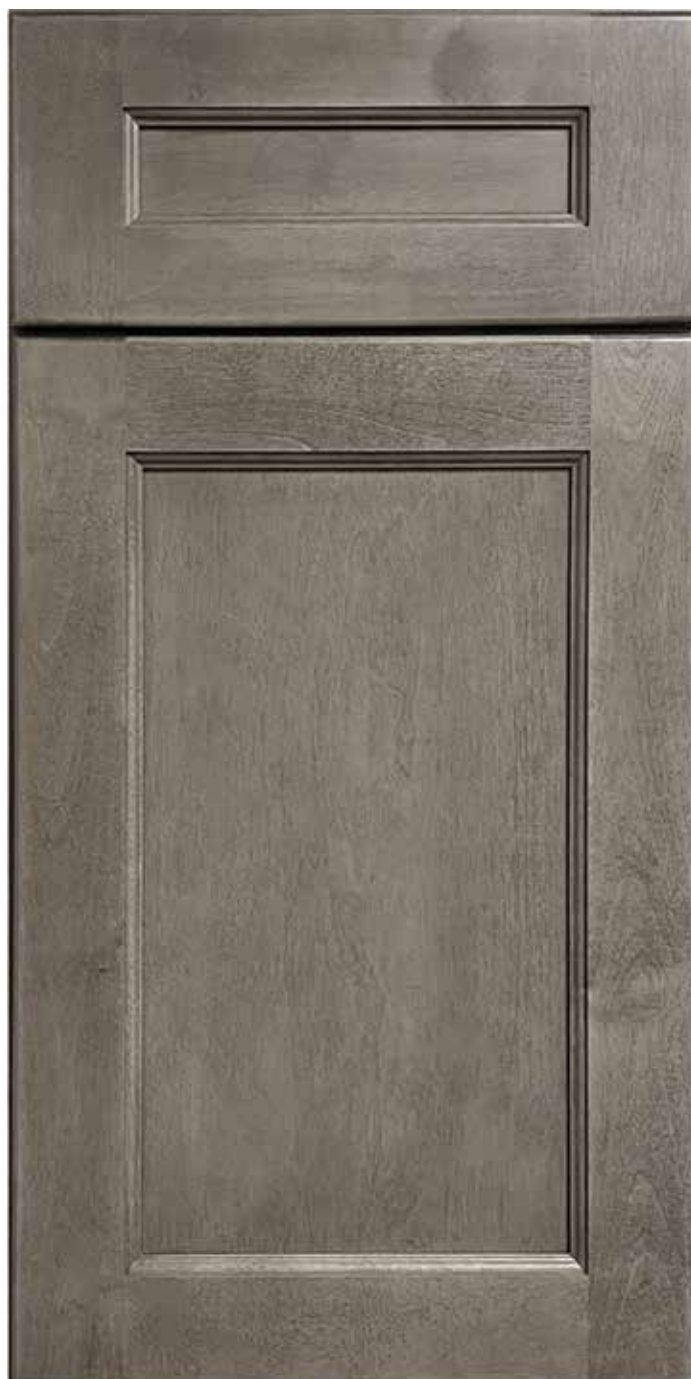
Shelves:
3/4" Adjustable Shelves

Hinge:
Soft Close 6 Way Adjustable
Concealed Hinge

Overlay:
Full

Cabinet Interior:
Natural Finish Box & Shelves,
Natural Drawers

Cabinet Exterior:
Natural Finish



If matching texture and color is desired... applicable end panels must be purchased.
Due to printing variations the pictures may vary slightly from true cabinet color.

Winchester Grey



Platinum Shaker (PS)

Wood Species:

Solid Maple / Birch

FaceFrame:

Solid Wood

Door Style:

Shaker Style

(Engineered HDF Construction)

Box Construction:

1/2" Solid Plywood

Drawer Glide:

Undermount Soft Close

Drawer Head:

5-piece, Matches Door Profile

Drawer Box:

3/4" Solid Wood Dovetail

Shelves:

3/4" Adjustable Shelves

Hinge:

Soft Close 6 Way Adjustable

Concealed Hinge

Overlay:

Full

Cabinet Interior:

Color Matched Box & Shelves,

Natural Drawers

Cabinet Exterior:

Color Matched



Due to printing variations the pictures may vary slightly from true cabinet color.

Platinum Shaker



West Point Grey (WPG)

Wood Species:

Solid Maple / Birch

FaceFrame:

Solid Wood

Door Style:

Flat Panel w/ Decorative Edge

Box Construction:

1/2" Solid Plywood

Drawer Glide:

Undermount Soft Close

Drawer Head:

5-piece, Matches Door Profile

Drawer Box:

3/4" Solid Wood Dovetail

Shelves:

3/4" Adjustable Shelves

Hinge:

Soft Close 6 Way Adjustable
Concealed Hinge

Overlay:

Full

Cabinet Interior:

Color Matched Box & Shelves,
Natural Drawers

Cabinet Exterior:

Color Matched



Due to printing variations the pictures may vary slightly from true cabinet color.

West Point Grey



White Shaker (WS)

Wood Species:

Solid Maple / Birch

FaceFrame:

Solid Wood

Door Style:

Shaker Style

(Engineered HDF Construction)

Box Construction:

1/2" Solid Plywood

Drawer Glide:

Undermount Soft Close

Drawer Head:

5-piece, Matches Door Profile

Drawer Box:

3/4" Solid Wood Dovetail

Shelves:

3/4" Adjustable Shelves

Hinge:

Soft Close 6 Way Adjustable

Concealed Hinge

Overlay:

Full

Cabinet Interior:

Color Matched Box & Shelves,

Natural Drawers

Cabinet Exterior:

Color Matched



Due to printing variations the pictures may vary slightly from true cabinet color.

White Shaker



Midnight Black Shaker (MBS)

Wood Species:

Solid Maple / Birch

FaceFrame:

Solid Wood

Door Style:

Shaker Style

(Engineered HDF Construction)

Box Construction:

1/2" Solid Plywood

Drawer Glide:

Undermount Soft Close

Drawer Head:

5-piece, Matches Door Profile

Drawer Box:

3/4" Solid Wood Dovetail

Shelves:

3/4" Adjustable Shelves

Hinge:

Soft Close 6 Way Adjustable

Concealed Hinge

Overlay:

Full

Cabinet Interior:

Color Matched Box & Shelves,

Natural Drawers

Cabinet Exterior:

Color Matched



Due to printing variations the pictures may vary slightly from true cabinet color.

Midnight Black Shaker



Fresh Sage (FS)

Wood Species:

Solid Maple / Birch

FaceFrame:

Solid Wood

Door Style:

Shaker Style

(Engineered HDF Construction)

Box Construction:

1/2" Solid Plywood

Drawer Glide:

Undermount Soft Close

Drawer Head:

5-piece, Matches Door Profile

Drawer Box:

3/4" Solid Wood Dovetail

Shelves:

3/4" Adjustable Shelves

Hinge:

Soft Close 6 Way Adjustable

Concealed Hinge

Overlay:

Full

Cabinet Interior:

Color Matched Box & Shelves,

Natural Drawers

Cabinet Exterior:

Color Matched



Due to printing variations the pictures may vary slightly from true cabinet color.

Fresh Sage



Carmel Shaker (cs)

Wood Species:
Solid Maple / Birch

FaceFrame:
Solid Wood

Door Style:
Shaker Style
(Engineered HDF Construction)

Box Construction:
1/2" Solid Plywood

Drawer Glide:
Undermount Soft Close

Drawer Head:
5-piece, Matches Door Profile

Drawer Box:
3/4" Solid Wood Dovetail

Shelves:
3/4" Adjustable Shelves

Hinge:
Soft Close 6 Way Adjustable
Concealed Hinge

Overlay:
Full

Cabinet Interior:
Color Matched Box & Shelves,
Natural Drawers

Cabinet Exterior:
Color Matched



Due to printing variations the pictures may vary slightly from true cabinet color.

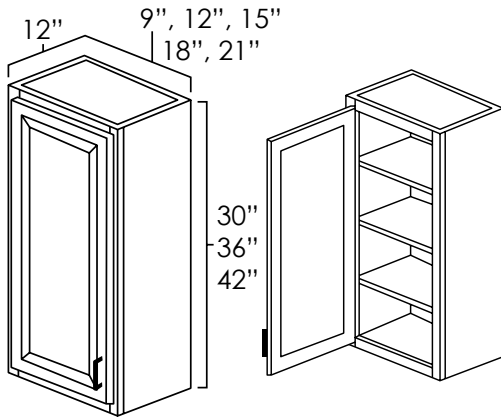
Carmel Shaker



SINGLE DOOR WALL CABINETS

SKU: W0930 • W0936 • W0942 • W1230 • W1236 • W1242 • W1530 • W1536 • W1542 • W1830 • W1836
W1842 • W2130 • W2136 • W2142

WALLS



Specifications:

- » 30" and 36" tall cabinets have two adjustable shelves.
- » 42" tall cabinets have three adjustable shelves.
- » Doors may be replaced with corresponding glass door (see page 55).
- » *For SKU ordering info see page 81*

ASP	BC	HS	MO	NG	PS	WPG	WS	MBS	FS	CS
◆	◆	◆	◆	◆	◆	◆	◆	◆	◆	◆





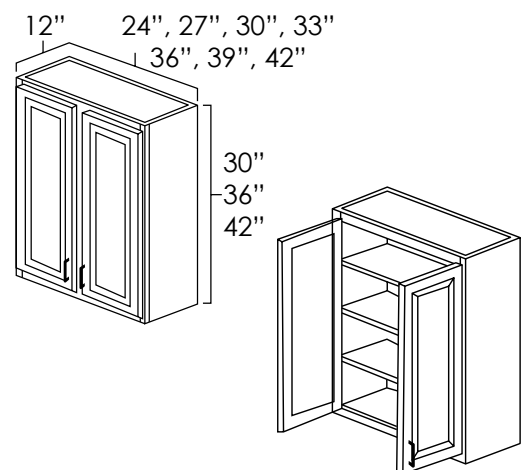
DOUBLE DOOR WALL CABINETS

SKU: W2430 • W2436 • W2442 • W2730 • W2736 • W2742 • W3030
 W3036 • W3042 • W3330 • W3336 • W3342 • W3630 • W3636 • W3642
 W3930 • W3936 • W3942 • W4230 • W4236 • W4242

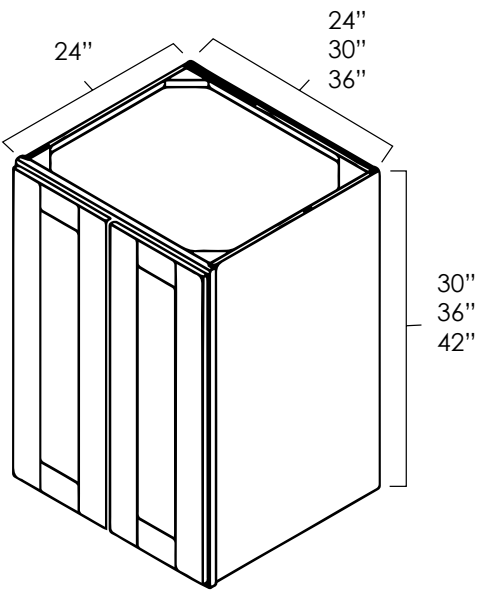
Specifications:

- » 30" and 36" tall cabinets have two adjustable shelves.
- » 42" tall cabinets have three adjustable shelves.
- » Butt doors on cabinets are 24" though 36" wide.
- » Doors may be replaced with corresponding set of double glass doors (see page 55).
- » *For SKU ordering info see page 82*

ASP	BC	HS	MO	NG	PS	WPG	WS	MBS	FS	CS
◆	◆	◆	◆	◆	◆	◆	◆	◆	◆	◆



24" DEEP DOUBLE DOOR WALL CABINETS



SKU:
W243024 • W243624 • W244224
W303024 • W303624 • W304224
W363024 • W363624 • W364224

- Specifications:**
- » 24" Deep
 - » Top Cabinet to be used for Split Pantries
 - » Will need a tall skin to cover seam
 - » *For SKU ordering info see page 83*

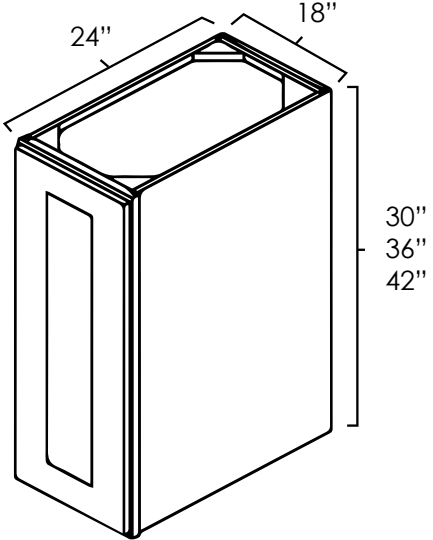
ASP	BC	HS	MO	NG	PS	WPG	WS	MBS	FS	CS
N/A	N/A	◆	N/A	◆	◆	◆	◆	◆	◆	◆



24" DEEP SINGLE DOOR WALL CABINETS

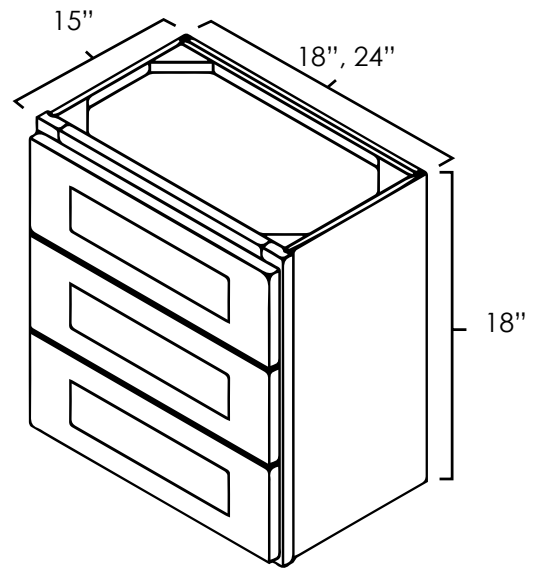
SKU:
W183024 • W183624 • W184224

- Specifications:**
- » 24" Deep
 - » Top Cabinet to be used for Split Pantries
 - » Will need a tall skin to cover seam
 - » *For SKU ordering info see page 83*



ASP	BC	HS	MO	NG	PS	WPG	WS	MBS	FS	CS
N/A	N/A	◆	N/A	◆	◆	◆	◆	◆	◆	◆

THREE DRAWER WALL CABINETS



WALLS

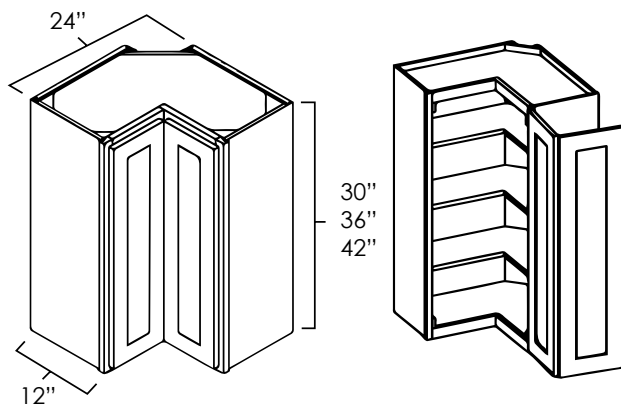
SKU: W3DR18 • W3DR24

Specifications:

- » Standard height dovetail drawer
- » For SKU ordering info see page 83

ASP	BC	HS	MO	NG	PS	WPG	WS	MBS	FS	CS
N/A	N/A	◆	N/A	◆	◆	◆	◆	◆	◆	◆

EASY REACH WALL CABINETS



SKU: WER2430 • WER2436 • WER2442

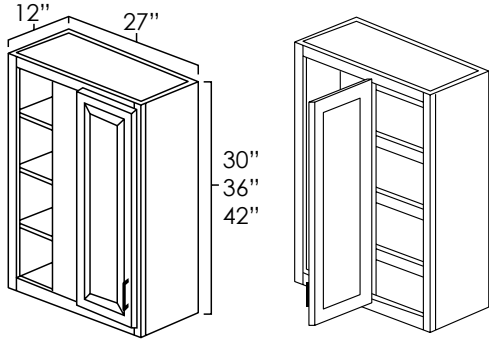
Specifications:

- » Two to Three 1/2 depth adjustable (non-removable) shelves
- » Decorative hardware screws must be countersunk to prevent scratching of adjacent cabinet
- » For SKU ordering info see page 83

ASP	BC	HS	MO	NG	PS	WPG	WS	MBS	FS	CS
N/A	N/A	◆	N/A	◆	◆	◆	◆	◆	◆	◆

BLIND CORNER WALL CABINETS

SKU: WBC2730 • WBC2736 • WBC2742



Specifications:

- » 30" and 36" tall cabinets have two adjustable shelves.
- » 42" tall cabinets have three adjustable shelves.
- » For SKU ordering info see page 83

ASP	BC	HS	MO	NG	PS	WPG	WS	MBS	FS	CS
◆	◆	◆	◆	◆	◆	◆	◆	◆	◆	◆



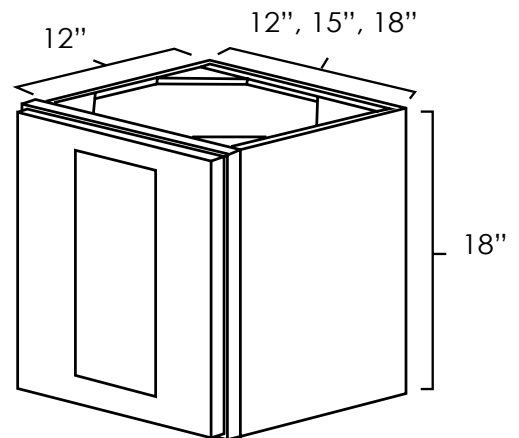
18" HIGH SINGLE DOOR WALL CABINETS

W1218 • W1518 • W1818

Specifications:

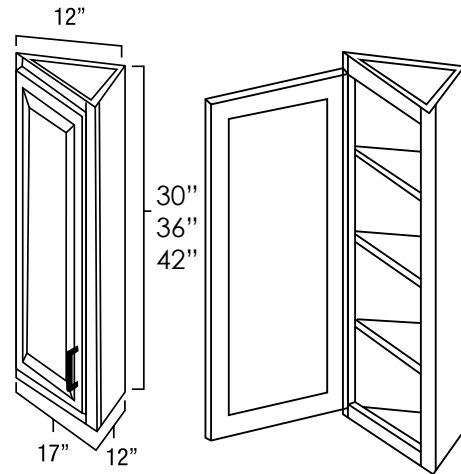
- » **No Shelf**
- » **18" Tall**
- » For SKU ordering info see page 84

ASP	BC	HS	MO	NG	PS	WPG	WS	MBS	FS	CS
N/A	N/A	◆	N/A	◆	◆	◆	◆	◆	◆	◆



ANGLED END WALL CABINETS

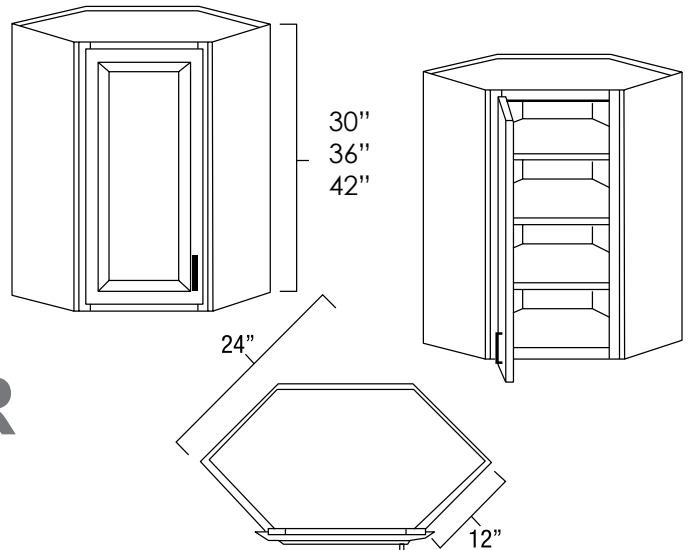
SKU: WCA1230 • WCA1236 • WCA1242



Specifications:

- » 30" and 36" tall cabinets have two adjustable shelves.
- » 42" tall cabinets have three adjustable shelves.
- » For SKU ordering info see page 84

ASP	BC	HS	MO	NG	PS	WPG	WS	MBS	FS	CS
◆	◆	◆	◆	◆	◆	◆	◆	◆	◆	◆



DIAGONAL CORNER WALL CABINETS

SKU: WDC2430 • WDC2436 • WDC2442 • WDC42PG • WDC42BG

Specifications:

- » 30" and 36" tall cabinets have two adjustable shelves.
- » 42" tall cabinets have three adjustable shelves.
- » Door may be replaced with corresponding diagonal glass door (see page 56).
- » For SKU ordering info see page 82

WDC2430 • WDC2436 • WDC2442

ASP	BC	HS	MO	NG	PS	WPG	WS	MBS	FS	CS
◆	◆	◆	◆	◆	◆	◆	◆	◆	◆	◆

WDC42PG • With Plain Glass (PG)

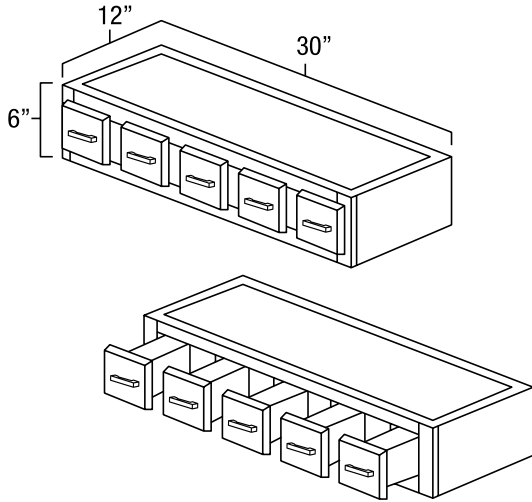
ASP	BC	HS	MO	NG	PS	WPG	WS	MBS	FS	CS
◆	N/A	◆	N/A	◆	◆	◆	◆	◆	◆	◆

WDC42BG • With Beveled Glass (BG)

ASP	BC	HS	MO	NG	PS	WPG	WS	MBS	FS	CS
N/A	◆	N/A	◆	N/A	N/A	N/A	N/A	N/A	N/A	N/A

SPICE DRAWER WALL CABINETS

SKU: WSC30



Specifications:

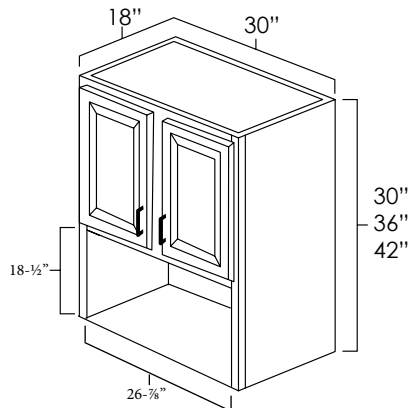
- » This cabinet does not come with any drawer slides.
- » The interior is finished and the cabinet can be used without the drawers as a wine rack.
- » The drawers cannot be turned. If drawers are used the cabinet must be installed horizontally for them to function properly.
- » For SKU ordering info see page 84

ASP	BC	HS	MO	NG	PS	WPG	WS	MBS	FS	CS
◆	◆	◆	◆	◆	◆	◆	◆	◆	◆	◆



MICROWAVE WALL CABINETS

SKU: MW3030 • MW3036 • MW3042



Specifications:

- » This cabinet is designed for "counter" style microwaves.
- » There are no shelves in this cabinet.
- » Opening width is 26-7/8".
- » Opening height is 18-1/2".
- » Shelf depth is 20".
- » Cabinet depth is 18".
- » Butt doors on all microwave cabinets.
- » For SKU ordering info see page 84

ASP	BC	HS	MO	NG	PS	WPG	WS	MBS	FS	CS
◆	◆	◆	◆	◆	◆	◆	◆	◆	◆	◆

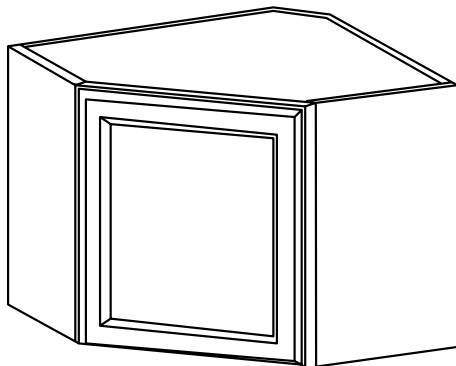


DOUBLE DOOR STACKER WALL DIAGONAL CABINET

SKU: DDSWDC2412

Specifications:

- » 24" wide x 12" high.
- » For SKU ordering info see page 85



ASP BC HS MO NG PS WPG WS MBS FS CS

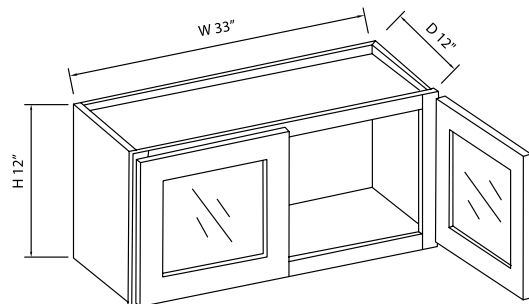
N/A N/A N/A N/A N/A N/A N/A N/A ♦ ♦ ♦ ♦

DOUBLE DOOR STACKER WALL OVEN CABINET

SKU: DDSWOC3312

Specifications:

- » 33" wide x 12" high.
- » Doors have plain glass fronts.
- » These cabinets are shipped pre-assembled.
- » Butt doors on all double door stacker cabinets.
- » For SKU ordering info see page 86



ASP BC HS MO NG PS WPG WS MBS FS CS

N/A N/A N/A N/A N/A N/A N/A N/A ♦ ♦ ♦ ♦

Cabinet Specifications

DOUBLE DECORATIVE STACKER BOXES

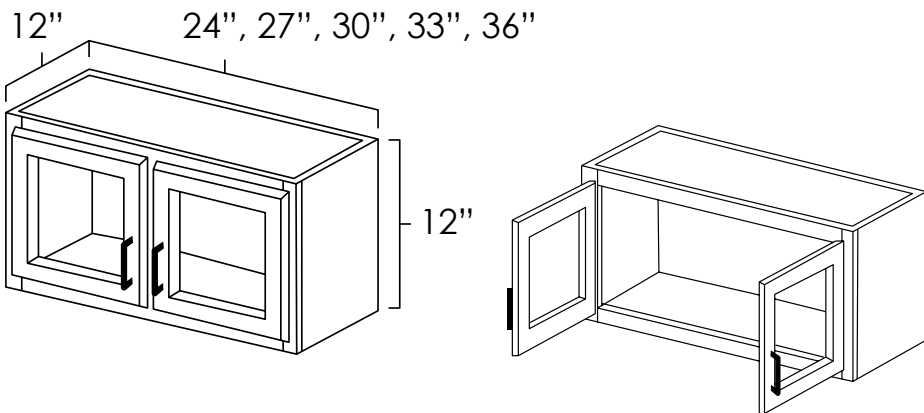
SKU: W2421BG • W2721BG • W3012BG • W3312BG • W3612BG • W2412PG • W2712PG • W3012PG • W3312PG • W3612PG

Specifications:

- » **Doors have beveled glass or plain glass fronts.**
- » **These cabinets are shipped pre-assembled.**
- » **Butt doors on all double door stacker cabinets.**
- » *For SKU ordering info see page 84*

With Beveled Glass (BG) • With Plain Glass (PG)

	ASP	BC	HS	MO	NG	PS	WPG	WS	MBS	FS	CS
BG	N/A	◆	N/A	◆	N/A	N/A	N/A	N/A	N/A	N/A	N/A
PG	◆	N/A	◆	N/A	◆	◆	◆	◆	◆	◆	◆

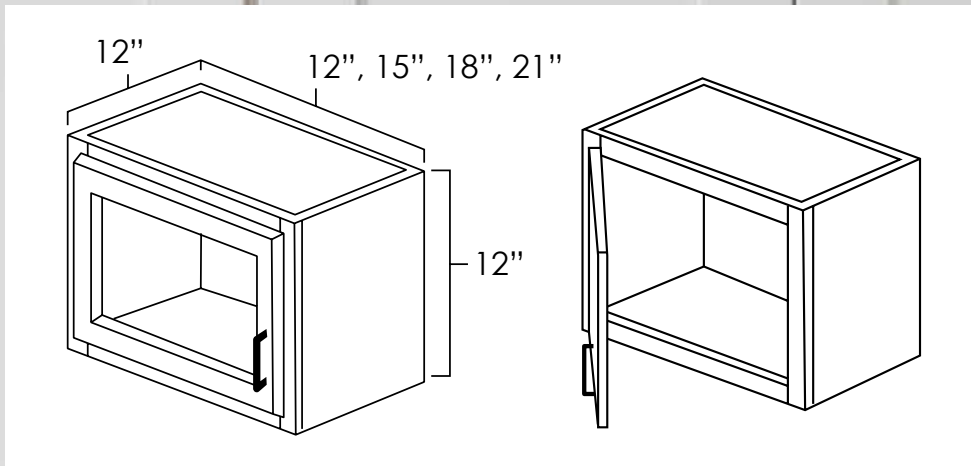


A double decorative stacker wall cabinet has been stacked on top of a refrigerator. Shown here in Winchester Grey.



SINGLE DECORATIVE STACKER WALL CABINETS

SKU: W1212BG • W1512BG • W1812BG • W2112BG • W1212PG • W1512PG • W1812PG • W2112PG



Specifications:

- » Doors have beveled glass or plain glass fronts.
- » These cabinets are shipped pre-assembled.
- » Butt doors on all double door stacker cabinets.
- » *For SKU ordering info see page 85*

With Beveled Glass (BG) • With Plain Glass (PG)

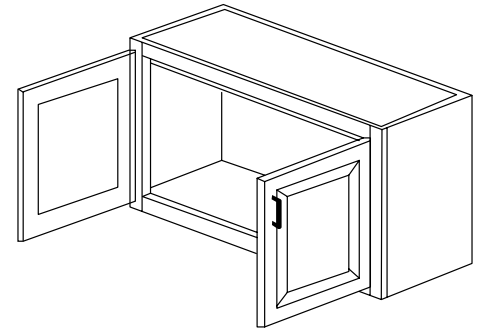
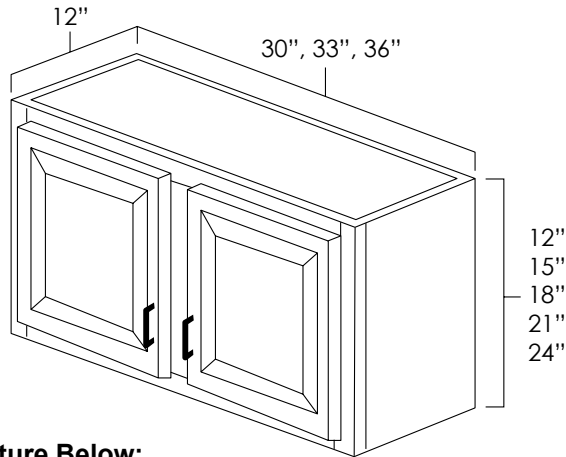
	ASP	BC	HS	MO	NG	PS	WPG	WS	MBS	FS	CS
BG	N/A	◆	N/A	◆	N/A	N/A	N/A	N/A	N/A	N/A	N/A
PG	◆	N/A	◆	N/A	◆	◆	◆	◆	◆	◆	◆

BRIDGE WALL CABINETS

SKU: W3012 • W3312 • W3612 • W3015 • W3315 • W3615 • W3018 • W3318 • W3618 • W3021 • W3321 • W3621 • W3024 • W3324 • W3624

Specifications:

- » **24" tall cabinets have one adjustable shelf.**
- » **The remaining heights have no shelves.**
- » **Butt doors on cabinets are 24" through 36" wide.**
- » *For SKU ordering info see page 85*



Picture Below:

A bridge cabinet in Glazed Mocha has been used above a lattice wine rack with a stem glass holder attached. All cabinets are shown with crown molding that have been painted black with optional rope molding inserted for added detail. The wall cabinets to the left and right of the wine rack and bridge cabinets are shown with light rail that has been painted black to match the crown.

SKU: W3012 • W3612 • W3015 • W3615 • W3018 • W3618 • W3021 • W3621 • W3024 • W3624

ASP	BC	HS	MO	NG	PS	WPG	WS	MBS	FS	CS
◆	◆	◆	◆	◆	◆	◆	◆	◆	◆	◆

SKU: W3312 • W3315 • W3318 • W3321 • W3324

ASP	BC	HS	MO	NG	PS	WPG	WS	MBS	FS	CS
◆	◆	◆	◆	◆	◆	◆	◆	◆	◆	◆



Picture Above:

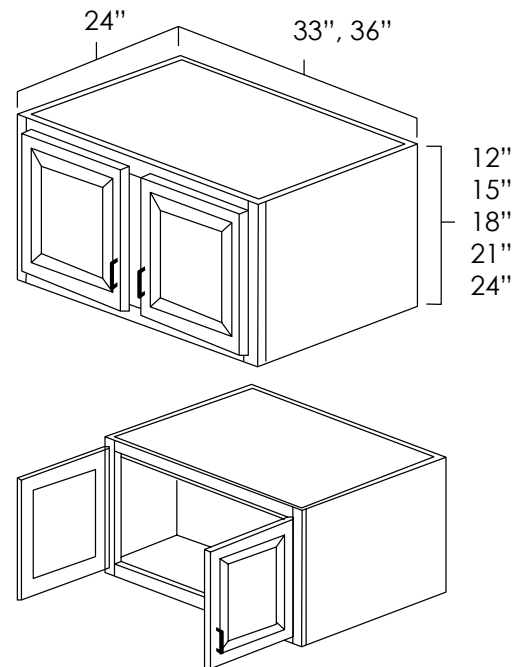
A bridge cabinet in White Shaker has been used below a wall cabinet to provide extra storage room at countertop height.



Walls

REFRIGERATOR WALL CABINETS

SKU: WR3315 • WR3324 • WR3612 • WR3615 • WR3618 • WR3621 • WR3624



Specifications:

- » 24" tall cabinets have one adjustable shelf.
- » Remaining heights have no shelves.
- » 33" wide cabinets are available only in 15" and 24" heights.
- » Butt doors on all refrigerator wall cabinets.
- » For SKU ordering info see page 81

SKU: WR3315 • WR3324 • WR3615 • WR3621

ASP	BC	HS	MO	NG	PS	WPG	WS	MBS	FS	CS
◆	◆	◆	◆	◆	◆	◆	◆	◆	◆	◆

SKU: WR3612 • WR3618 • WR3624

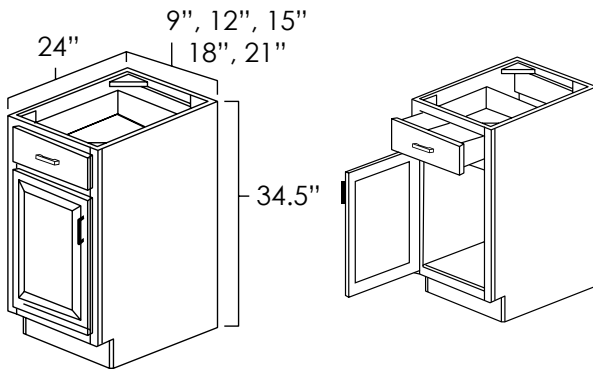
ASP	BC	HS	MO	NG	PS	WPG	WS	MBS	FS	CS
◆	◆	◆	◆	◆	◆	◆	◆	◆	◆	◆

Picture:

A refrigerator cabinet is shown in West Point Grey in between two 24" Utility cabinets. To complete the look crown molding has been added.

SINGLE DOOR SINGLE DRAWER BASE CABINETS

SKU: B12 • B15 • B18 • B21



Specifications:

- » 1/2 depth adjustable shelf.
- » For SKU ordering info see page 86

ASP BC HS MO NG PS WPG WS MBS FS CS

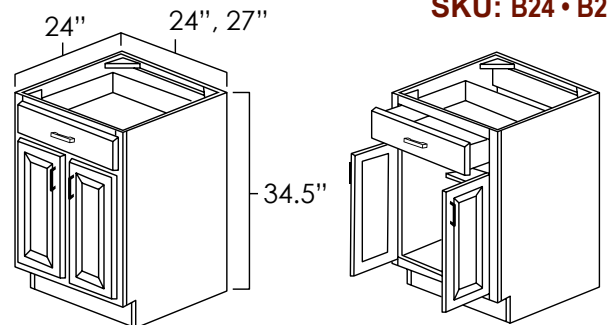


BASES



DOUBLE DOORS SINGLE DRAWER BASE CABINETS

SKU: B24 • B27



Specifications:

- » 1/2 depth adjustable shelf.
- » Butt doors on both 24" and 27" wide bases.
- » For SKU ordering info see page 86

ASP BC HS MO NG PS WPG WS MBS FS CS



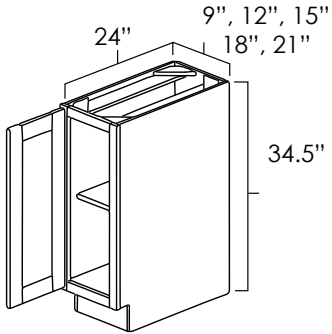
Bases

SINGLE DOOR FULL HEIGHT BASE CABINETS

SKU: FHB12 • FHB15 • FHB18 • FHB21

Specifications:

- » 1/2 depth adjustable shelf.
- » For SKU ordering info see page 87



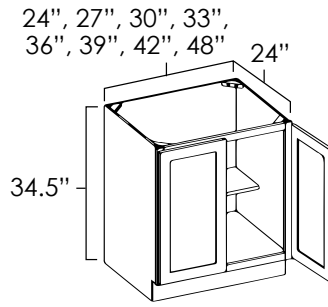
ASP	BC	HS	MO	NG	PS	WPG	WS	MBS	FS	CS
N/A	N/A	N/A	N/A	N/A	N/A	N/A	◆	◆	◆	◆

DOUBLE DOOR FULL HEIGHT BASE CABINETS

SKU: FHB24 • FHB27 • FHB30 • FHB33 • FHB36 • FHB39
FHB42 • FHB48

Specifications:

- » 1/2 depth adjustable shelf.
- » Butt doors on both 24" and 27" wide bases.
- » For SKU ordering info see page 87



ASP	BC	HS	MO	NG	PS	WPG	WS	MBS	FS	CS
N/A	N/A	N/A	N/A	N/A	N/A	N/A	◆	◆	◆	◆



BASES

DOUBLE DOORS & DRAWERS BASE CABINETS

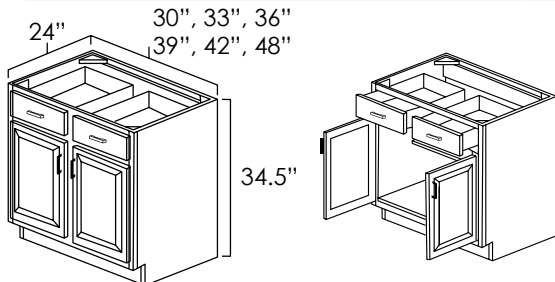
SKU: B30 • B33 • B36 • B39 • B42 • B48

Specifications:

- » 1/2" depth adjustable shelf.
- » Butt doors on 30" through 36" wide bases.
- » For SKU ordering info see page 86

ASP	BC	HS	MO	NG	PS	WPG	WS	MBS	FS	CS
◆	◆	◆	◆	◆	◆	◆	◆	◆	◆	◆

ASP	BC	HS	MO	NG	PS	WPG	WS	MBS	FS	CS
◆	◆	◆	◆	◆	◆	◆	◆	◆	◆	◆



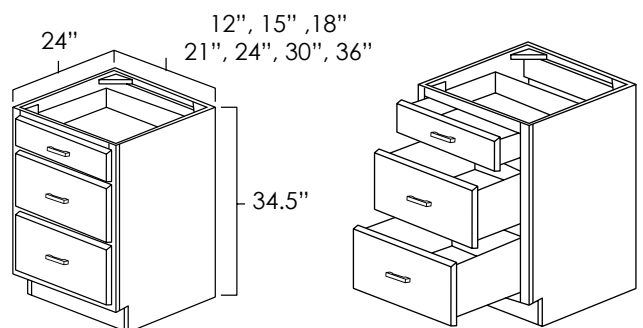
DRAWER BASE CABINETS

SKU: DB12 • DB15 • DB18 • DB21 • DB24 • DB30 • DB36

Specifications:

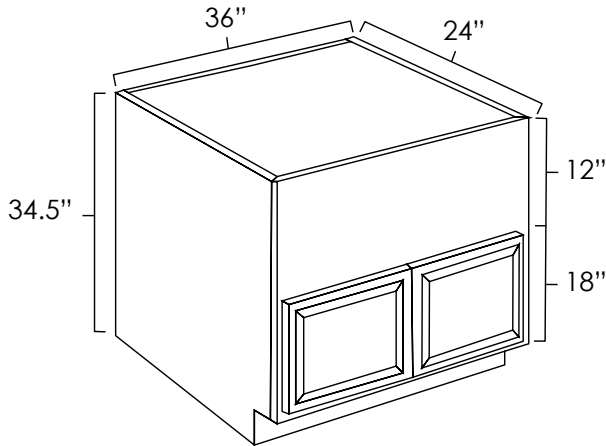
- » All drawer bases have a small top drawer and two larger bottom drawers
- » For SKU ordering info see page 86

ASP	BC	HS	MO	NG	PS	WPG	WS	MBS	FS	CS
◆	◆	◆	◆	◆	◆	◆	◆	◆	◆	◆



FARM SINK BASE CABINETS

SKU: FSB36



Specifications:

- » 18" high cabinet doors.
- » There are no shelves or drawers in this cabinet.
- » For SKU ordering info see page 87

ASP	BC	HS	MO	NG	PS	WPG	WS	MBS	FS	CS
◆	◆	◆	◆	◆	◆	◆	◆	◆	◆	◆



SINK BASE CABINETS

SKU: SB33 • SB36

Specifications:

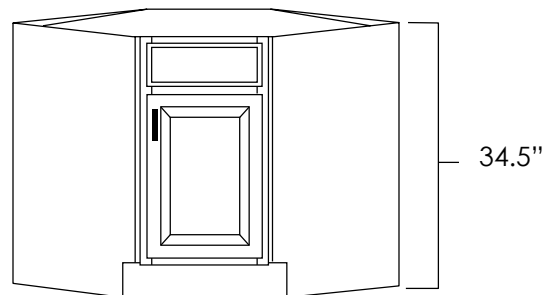
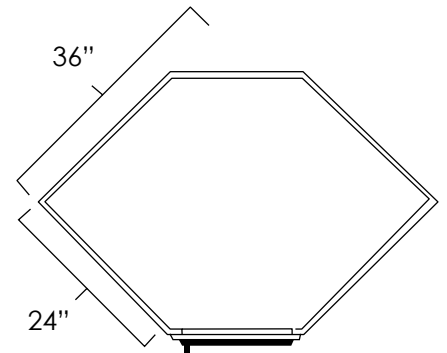
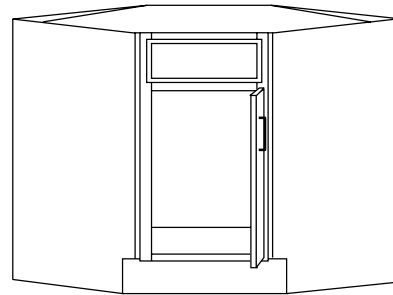
- » There are no shelves in this cabinet.
- » There are no drawers in this cabinet.
- » Butt doors on this 33" or 36" wide cabinet.
- » Any base may be used as a sink base by simply not installing the drawer hardware and attaching only the drawer faces to the cabinet as false fronts.
- » For SKU ordering info see page 87

ASP	BC	HS	MO	NG	PS	WPG	WS	MBS	FS	CS
◆	◆	◆	◆	◆	◆	◆	◆	◆	◆	◆

Bases

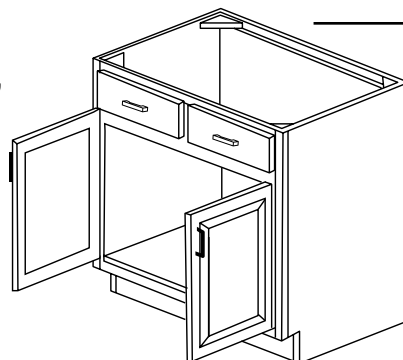
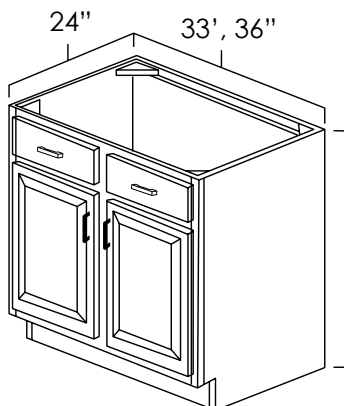
DIAGONAL CORNER SINK BASE CABINET

SKU: DCSB36



Specifications:

- » There are no shelves in this cabinet.
- » There are no drawers in this cabinet.
- » For SKU ordering info see page 87



ASP	BC	HS	MO	NG	PS	WPG	WS	MBS	FS	CS
◆	◆	◆	◆	◆	◆	◆	◆	◆	◆	◆

UTILITY BASE CABINET

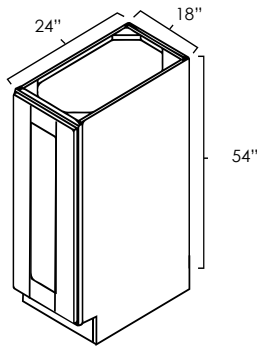
Specifications:

- » Bottom Cabinet for Split Pantries
- » Will need a tall skin (if color is available) or can be covered by an SPW (Stained Plywood) to cover seam
- » For SKU ordering info see page 87 and 88

ASP	BC	HS	MO	NG	PS	WPG	WS	MBS	FS	CS
N/A	N/A	◆	N/A	◆	◆	◆	◆	◆	◆	◆

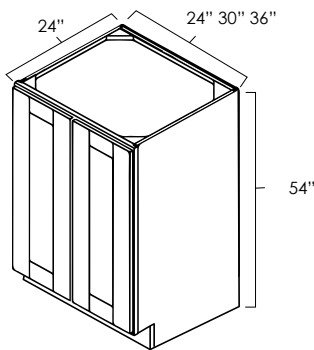
SINGLE DOOR

UCB1854



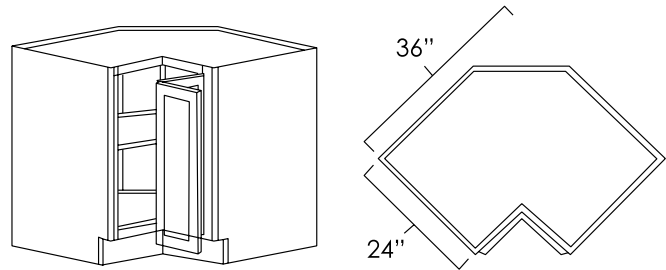
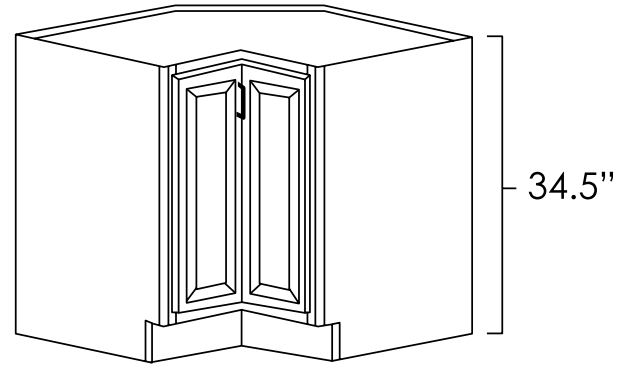
DOUBLE DOOR

UCB2454
UCB3054
UCB3654



LAZY SUSAN CORNER BASE CABINETS

SKU: LS3312 • LS3612



Specifications:

- » Stainless steel baskets are standard.
- » There are two baskets per cabinet.
- » Both baskets are height adjustable.
- » Lazy susan doors may be mounted to open right or left.
- » For SKU ordering info see page 86

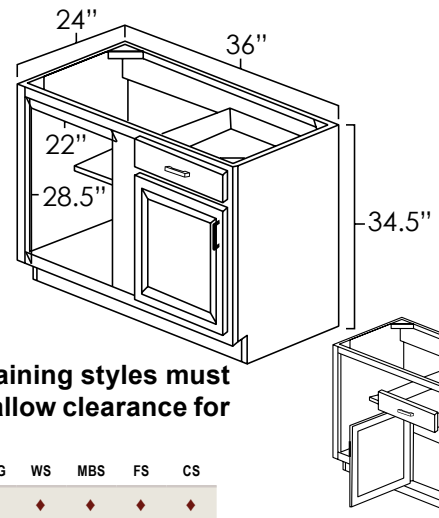
ASP	BC	HS	MO	NG	PS	WPG	WS	MBS	FS	CS
◆	◆	◆	◆	◆	◆	◆	◆	◆	◆	◆

BLIND CORNER BASE CABINETS

SKU: BBC36

Specifications:

- » Adjustable to 45" wide.
- » May not be pulled farther than 9".
- » 12 7/8" door overlays 11 7/8" frame opening.
- » May be used as a right (R) or left (L) blind setup.
- » Full overlay cabinets must be pulled a minimum of 4" and remaining styles must be pulled a minimum of 3". May be necessary to pull further to allow clearance for door and drawer hardware.
- » For SKU ordering info see page 88

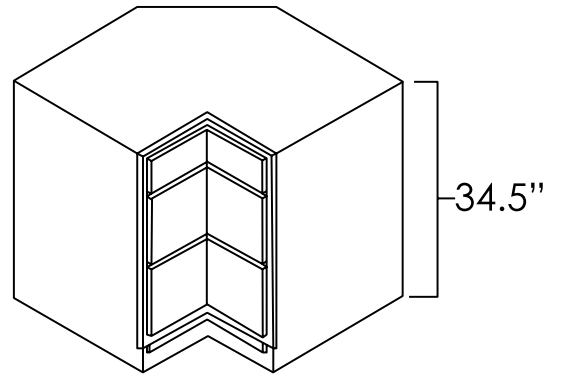


ASP	BC	HS	MO	NG	PS	WPG	WS	MBS	FS	CS
◆	◆	◆	◆	◆	◆	◆	◆	◆	◆	◆

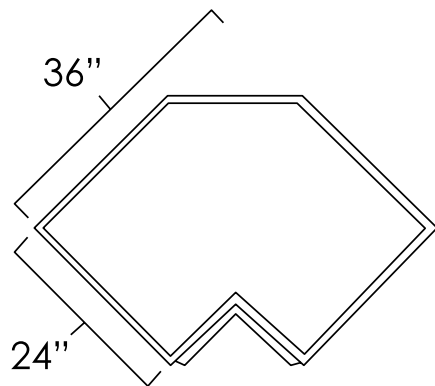
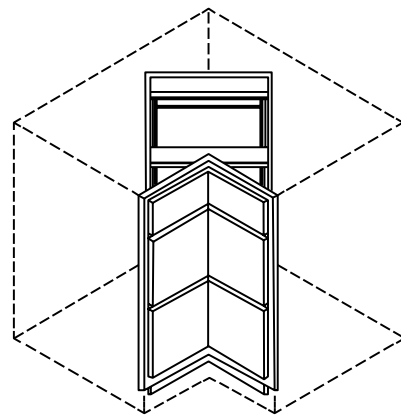
Bases

CORNER DRAWERS BASE CABINET

SKU: CDB36



BASES



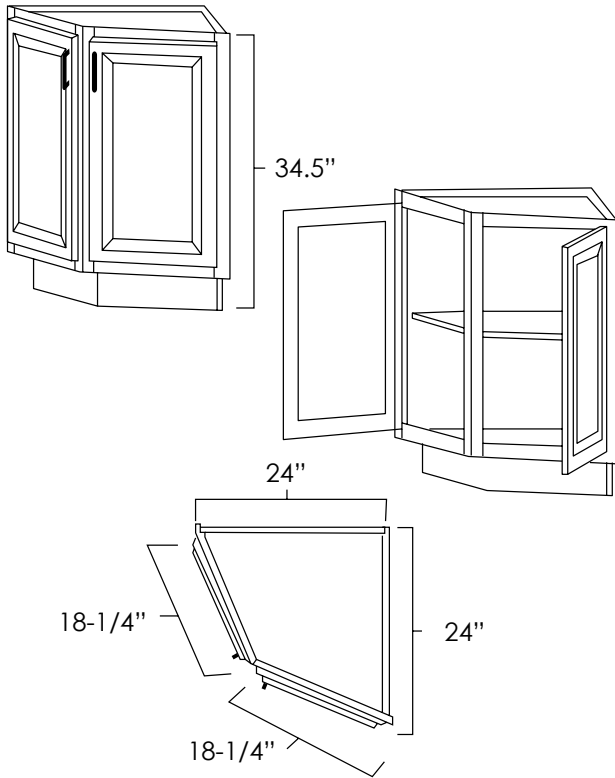
Specifications:

- » All drawer bases have a small top drawer and two larger bottom drawers
- » For SKU ordering info see page 88

ASP	BC	HS	MO	NG	PS	WPG	WS	MBS	FS	CS
◆	◆	◆	◆	◆	◆	◆	◆	◆	◆	◆

ANGLED END BASE CABINETS

SKU: BA24



Specifications:

- » One adjustable shelf
- » Three BA24s are used to create the end of an island in Glazed Mocha. Two of the doors have been replaced with 18" x 30" mullion doors and have lights installed to create this decorative look.
- » *For SKU ordering info see page 86*

ASP	BC	HS	MO	NG	PS	WPG	WS	MBS	FS	CS
◆	◆	◆	◆	◆	◆	◆	◆	◆	◆	◆



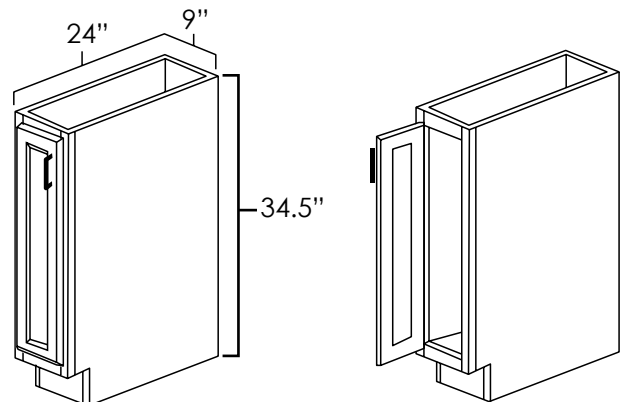
FULL HEIGHT / TRAY BASE CABINET

SKU: TB09

Specifications:

- » There are no shelves in this cabinet or top drawer.
- » Good for trays & cookie sheets
- » *For SKU ordering info see page 88*

ASP	BC	HS	MO	NG	PS	WPG	WS	MBS	FS	CS
◆	◆	◆	◆	◆	◆	◆	◆	◆	◆	◆



Bases

SPICE DRAWERS BASE CABINET

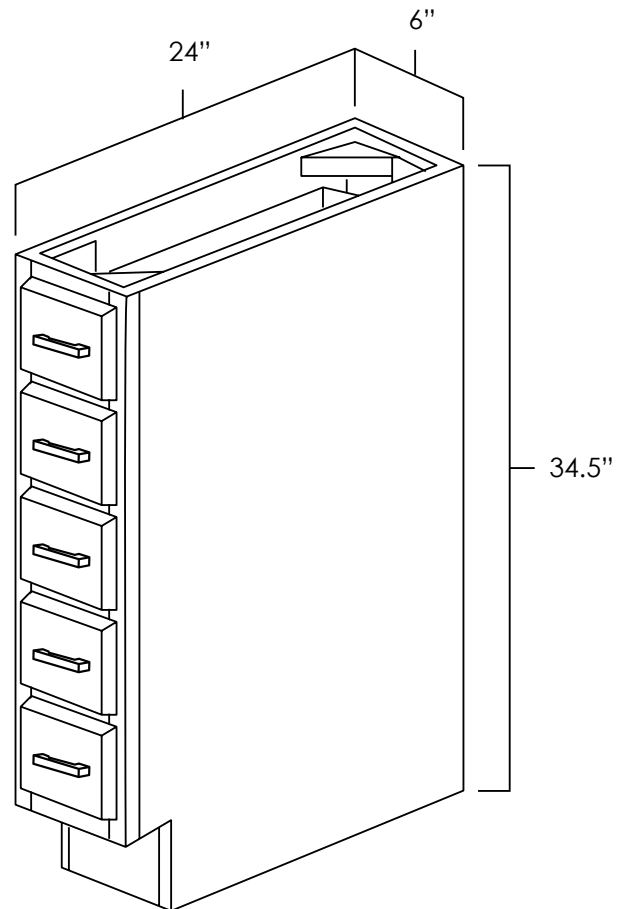
SKU: BSD6

Specifications:

- » This cabinet does not come with any drawer slides.
- » The cabinet can be used without the drawers as a wine rack.
- » For SKU ordering info see page 88

ASP	BC	HS	MO	NG	PS	WPG	WS	MBS	FS	CS
◆	◆	◆	◆	◆	◆	◆	◆	◆	◆	◆

BASES



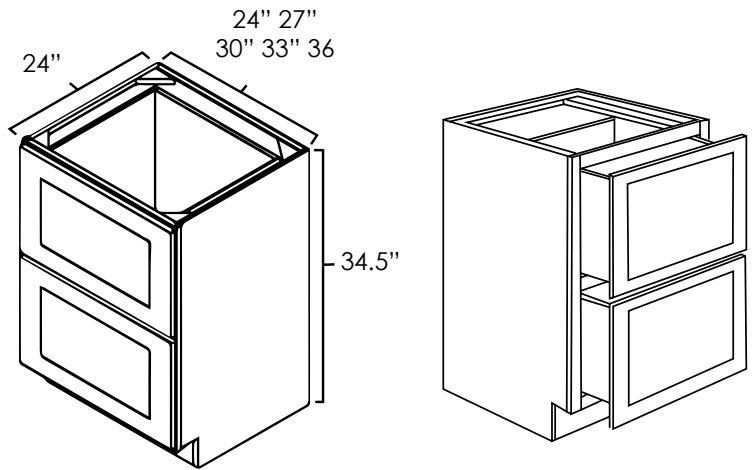
Picture to the left

BSD6 with drawers partially pulled out to show function in Carmel Shaker.

2 DRAWER BASE CABINET



BASES



2DB24 • 2DB27 • 2DB30 • 2DB33 • 2DB36

Specifications:

- » Two equal sized deep dovetail drawers
- » For SKU ordering info see page 89

ASP	BC	HS	MO	NG	PS	WPG	WS	MBS	FS	CS
N/A	N/A	◆	N/A	◆	◆	◆	◆	◆	◆	◆

EASY REACH BASE CABINET

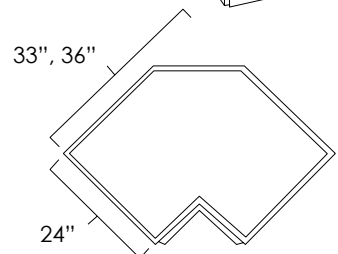
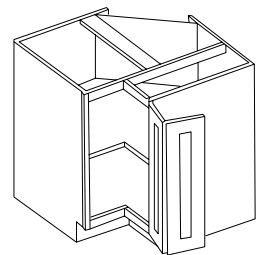
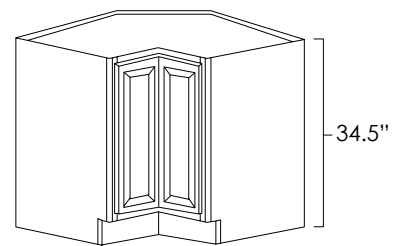


BER33 • BER36

Specifications:

- » One ½ depth adjustable (non-removable) shelf
- » For SKU ordering info see page 89

ASP	BC	HS	MO	NG	PS	WPG	WS	MBS	FS	CS
N/A	N/A	◆	N/A	◆	◆	◆	◆	◆	◆	◆



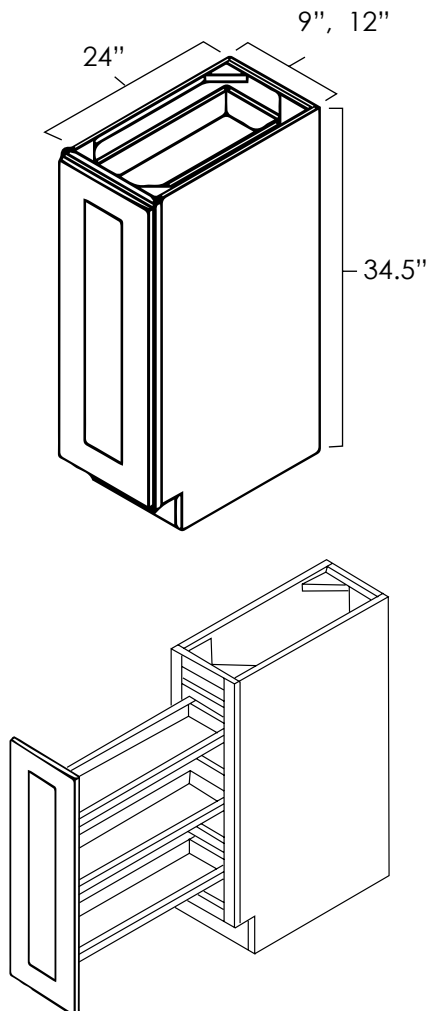
SPICE RACK BASE CABINET

BSR9 • BSR12

Specifications:

- » **BSR9 has 5 7/8" wide opening, BSR12 has 8 7/8" wide opening**
- » **Full height door**
- » **3 fixed shelves (pull out with door)**
- » **Soft Close, Side-mount ball-bearing guides on ALL door styles**
- » **Undermount Guides not available**
- » *For SKU ordering info see page 89*

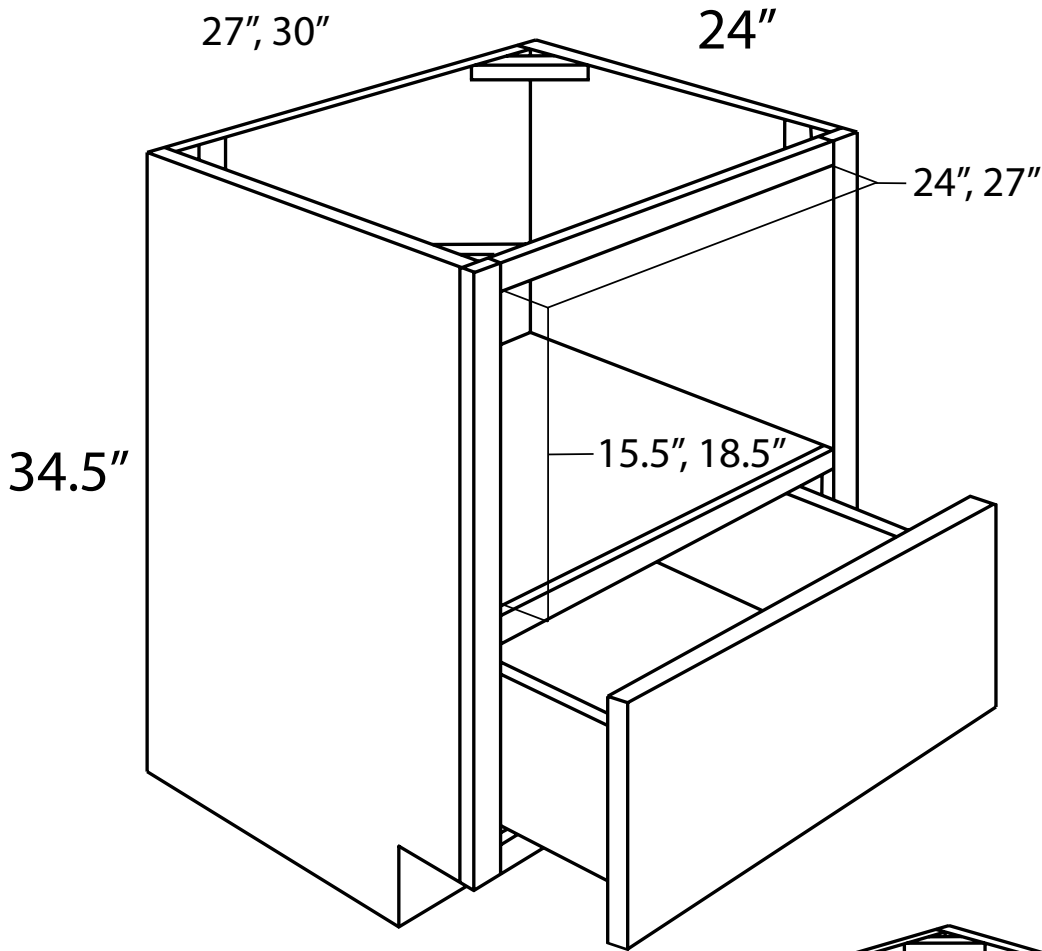
ASP	BC	HS	MO	NG	PS	WPG	WS	MBS	FS	CS
N/A	N/A	◆	N/A	◆	◆	◆	◆	◆	◆	◆



BASE MICROWAVE CABINET

SKU: BMC27 • BMC30

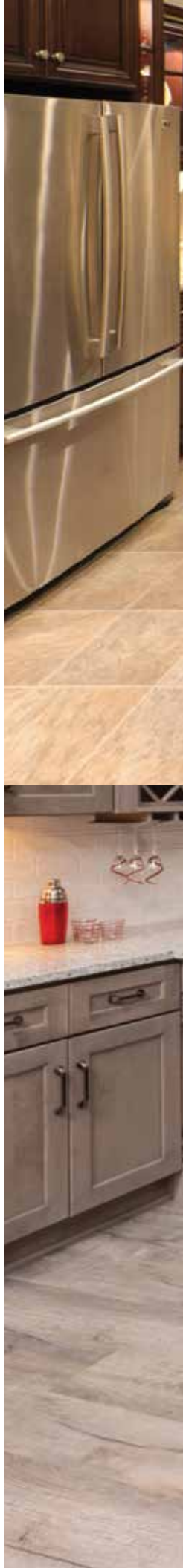
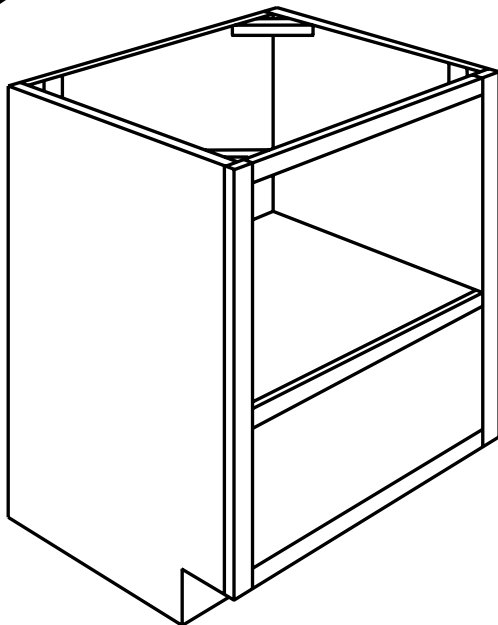
BASES



Specifications:

- » **Finished solid wood front**
- » **1 Soft-close drawer**
- » **Dovetail drawer construction**
- » **Solid wood construction**
- » *For SKU ordering info see page 89*

ASP	BC	HS	MO	NG	PS	WPG	WS	MBS	FS	CS
◆	N/A	◆	N/A	◆	◆	◆	◆	◆	◆	◆



Bases

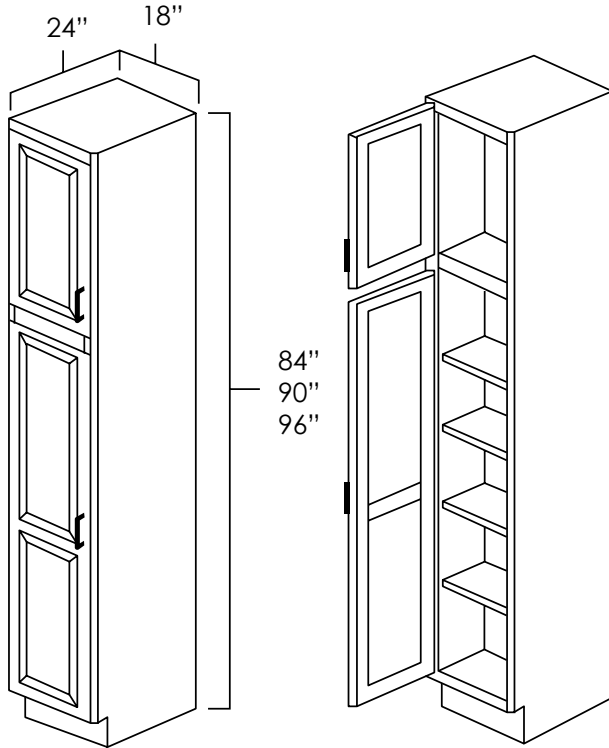


BASES



18" WIDE UTILITY CABINETS

SKU: UC1884 • UC1890 • UC1896



Specifications:

- » Four adjustable shelves can be used in either the top or bottom section.
- » Bottom section measures 54" tall.
- » These cabinets are 24" deep.
- » For SKU ordering info see page 89

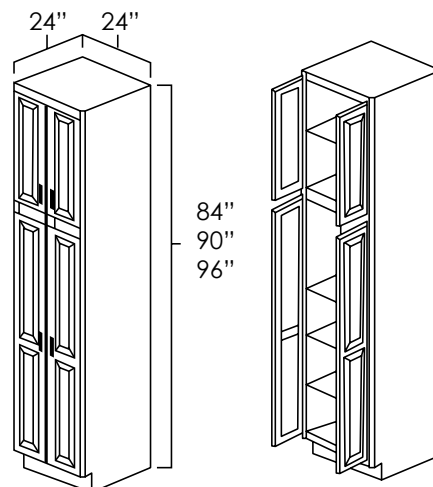
ASP	BC	HS	MO	NG	PS	WPG	WS	MBS	FS	CS
◆	◆	◆	◆	◆	◆	◆	◆	◆	◆	◆

24" WIDE UTILITY CABINETS

SKU: UC2484 • UC2490 • UC2496

Specifications:

- » Four adjustable shelves can be used in either the top or bottom section.
- » Bottom section measures 54" tall.
- » These cabinets are 24" deep.
- » For SKU ordering info see page 89



ASP	BC	HS	MO	NG	PS	WPG	WS	MBS	FS	CS
◆	◆	◆	◆	◆	◆	◆	◆	◆	◆	◆

UNIVERSAL OVEN CABINETS

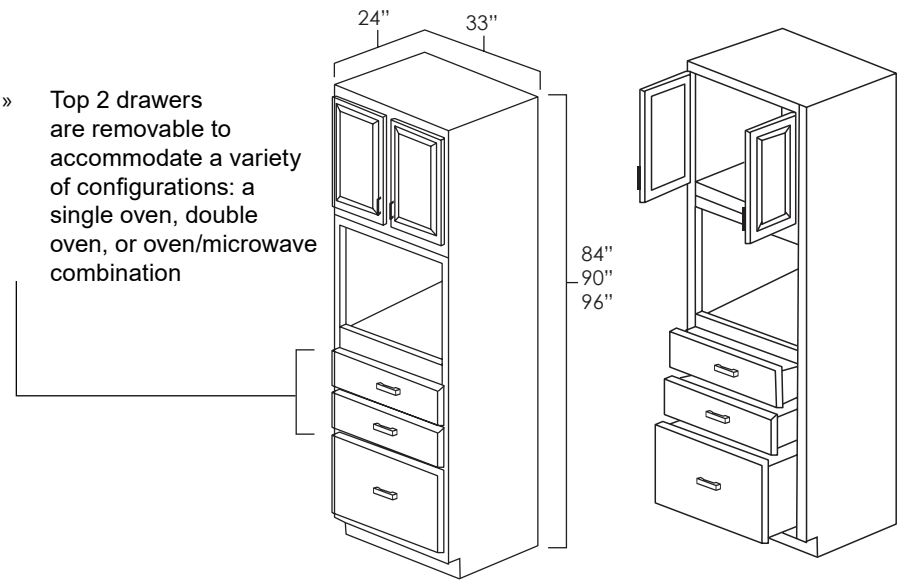


SKU: UOC3384 • UOC3390 • UOC3396

Specifications:

- » The cut out opening measures 28.5" x 22".
- » Will fit any standard size oven.
- » These cabinets are 24" deep.
- » Can be arranged as a single oven, double oven, or oven/microwave combination by removing the necessary drawers and cutting to fit.
- » Butt doors on all universal oven cabinets.
- » The top two drawers are standard drawers while the bottom is a deeper drawer.
- » For SKU ordering info see page 90

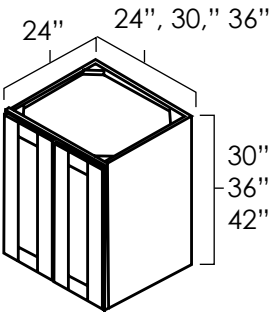
ASP	BC	HS	MO	NG	PS	WPG	WS	MBS	FS	CS
◆	◆	◆	◆	◆	◆	◆	◆	◆	◆	◆



TALLS

TOP WALL CABINET FOR SPLIT PANTRIES

**SKU: W243024 • W243624 • W244224 • W303024 • W303624
W304224 • W363024 • W363624 • W364224**

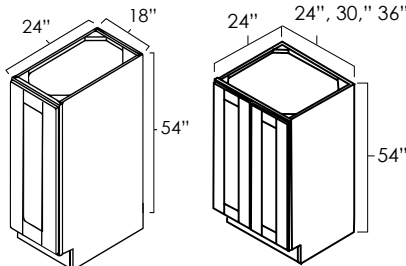


Specifications:

- » Four adjustable shelves can be used in either the top or bottom section.
- » These cabinets are 24" deep.
- » Will require a tall skin to cover the seam
- » For SKU ordering info see page 85

BOTTOM WALL CABINET FOR SPLIT PANTRIES

**SKU: UCB1854
SKU: UCB2454 • UCB3054 • UCB3654**



Specifications:

- » Four adjustable shelves can be used in either the top or bottom section.
- » Bottom section measures 54" tall.
- » These cabinets are 24" deep.
- » Will require a tall skin to cover the seam
- » For SKU ordering info see page 85

ASP	BC	HS	MO	NG	PS	WPG	WS	MBS	FS	CS
N/A	N/A	N/A	N/A	N/A	N/A	N/A	◆	◆	◆	◆

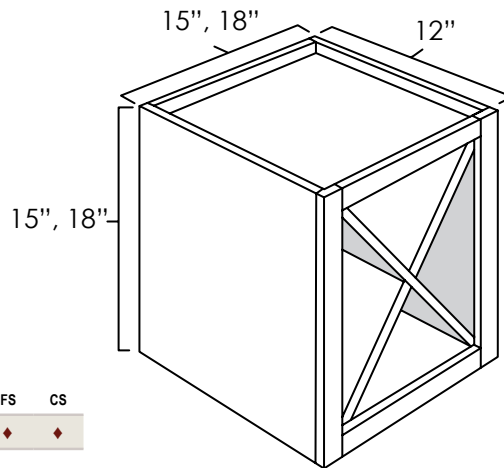
ASP	BC	HS	MO	NG	PS	WPG	WS	MBS	FS	CS
N/A	N/A	N/A	N/A	N/A	N/A	N/A	◆	◆	◆	◆

WINE STORAGE CUBE

SKU: WSC1515 • WSC1818

Specifications:

- » Matching finished interior on all door styles
- » All cubes are 12" deep
- » Must be installed between two cabinets, a cabinet and a wall, or mounted to a horizontal surface
- » For SKU ordering info see page 90



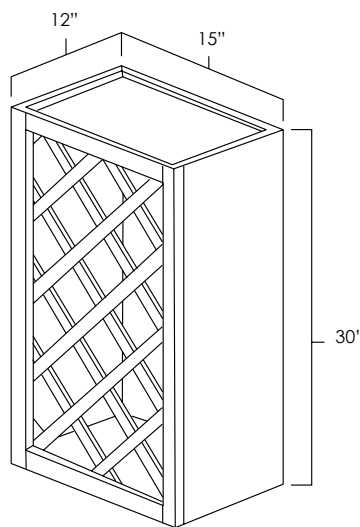
ASP	BC	HS	MO	NG	PS	WPG	WS	MBS	FS	CS
N/A	N/A	◆	N/A	◆	◆	◆	◆	◆	◆	◆

LATTICE WINE RACK

SKU: LWR3015

Specifications:

- » Holds 11 bottles.
- » Can be installed horizontally or vertically.
- » Will hold 3-3/4" diameter bottles.
- » For SKU ordering info see page 90



ASP	BC	HS	MO	NG	PS	WPG	WS	MBS	FS	CS
◆	◆	◆	◆	◆	◆	◆	◆	◆	◆	◆

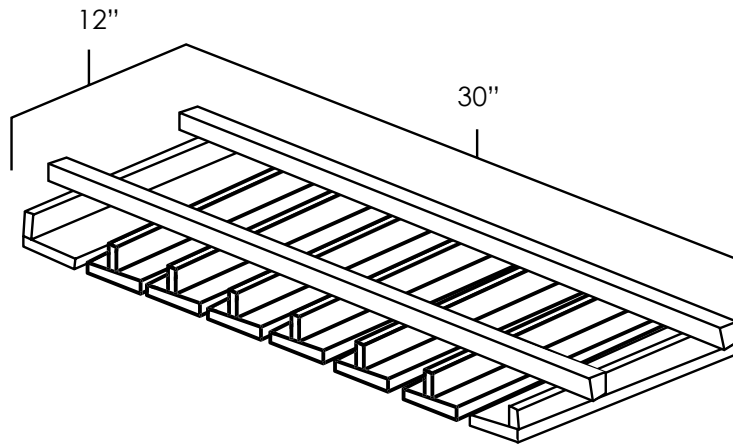
ACCESSORIES





STEM GLASS HOLDER

SKU: SGH



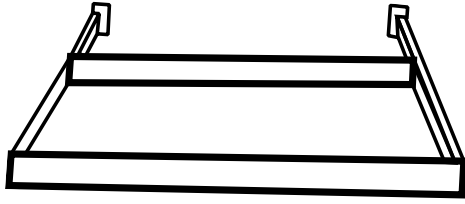
Specifications:

- » Solid wood.
- » Mounts to bottom of wall cabinet.
- » Can be cut to fit smaller cabinets.
- » Fitted to mount under any 30" wide standard, stacker, or bridge wall cabinet.
- » Holds 6 rows of glasses (18 standard size wine glasses)
- » *For SKU ordering info see page 90*

ASP	BC	HS	MO	NG	PS	WPG	WS	MBS	FS	CS
◆	◆	◆	◆	◆	◆	◆	◆	◆	◆	◆

ROLL OUT TRAYS

SKU: ROT15 • ROT18 • ROT21 • ROT24 • ROT27 • ROT30 • ROT33 • ROT36



Specifications:

- » All universal fitment with natural birch finish
- » Partial overlay cabinet lines: order according to the width of the cabinet. EX: ROT21 fits B21cabinet.
- » Full overlay cabinet lines: order according to the width of the cabinet IF it is not being installed between hinges. If it will be installed between hinges then order 1 size smaller and use shims for installation (this is done so the tray will clear the hinges when opening).
- » Drawer glide hardware and wood finish for ROT are the same as the standard drawers in their corresponding cabinet line.
- » May be used in any 24" deep cabinet (Base, Refrigerator Wall, Pantries).
- » *For SKU ordering info see page 90*

ASP	BC	HS	MO	NG	PS	WPG	WS	MBS	FS	CS	UNIV
N/A	N/A	N/A	◆	N/A	N/A	N/A	N/A	N/A	N/A	N/A	◆



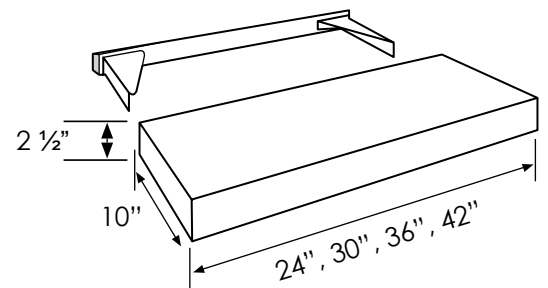
ACCESSORIES

FINISHED FLOATING SHELF

SKU: FFS24 • FFS30 • FFS36 • FFS42

Specifications:

- » **Not trimmable**
- » **Install as floating or between two cabinets or between one cabinet and a wall**
- » **Finished to match on front, sides, top, and bottom**
- » **Max load = 15 lbs per linear foot**
- » *For SKU ordering info see page 91*

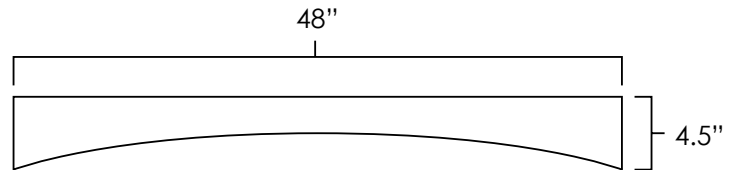


ASP	BC	HS	MO	NG	PS	WPG	WS	MBS	FS	CS
N/A	N/A	◆	N/A	◆	◆	◆	◆	◆	◆	◆

Accessories

ARCHED VALANCES

SKU: VA48



Specifications:

- » Can be trimmed down to needed size.
- » For SKU ordering info see page 91

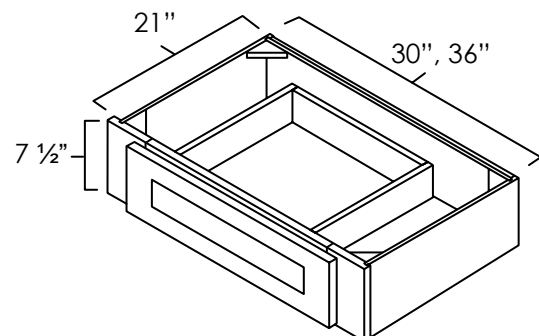
ASP	BC	HS	MO	NG	PS	WPG	WS	MBS	FS	CS
◆	◆	◆	◆	◆	◆	◆	◆	◆	◆	◆

UNDER COUNTER KNEE DRAWERS

SKU: UCD30 • UCD36

Specifications:

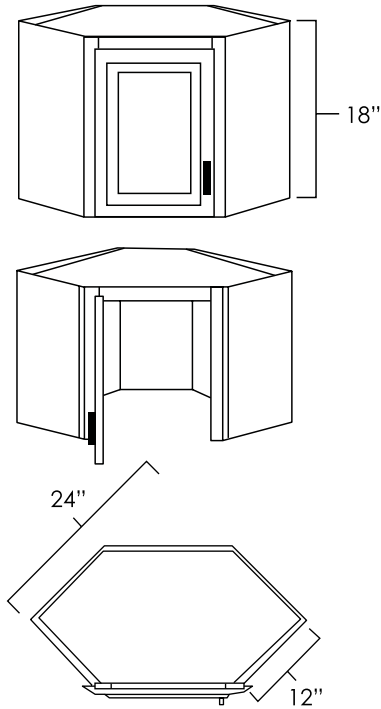
- » Drawer unit designed to be installed under counter to create a desk area.
- » These drawers will install beside either vanity cabinets (21" depth) or standard base cabinets (24" depth).
- » For SKU ordering info see page 91



ASP	BC	HS	MO	NG	PS	WPG	WS	MBS	FS	CS
N/A	N/A	◆	N/A	◆	◆	◆	◆	◆	◆	◆

APPLIANCE GARAGE

SKU: AG2418



Specifications:

- » Designed for installation on countertop.
- » Fits directly below a wall diagonal corner cabinet.
- » There are no shelves in this cabinet.
- » *For SKU ordering info see page 91*

ASP	BC	HS	MO	NG	PS	WPG	WS	MBS	FS	CS
◆	◆	◆	◆	◆	◆	◆	◆	◆	◆	◆

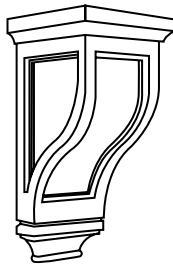
CORBELS

SKU: CBLPN2 • CBLPN3

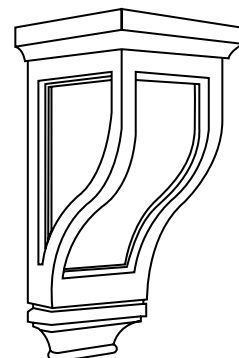
Specifications:

- » Available in 2 size options
- » *For SKU ordering info see page 91*

ASP	BC	HS	MO	NG	PS	WPG	WS	MBS	FS	CS
◆	◆	◆	◆	◆	◆	◆	◆	◆	◆	◆



Small
 Width: 4-3/4"
 Depth: 5"
 Height: 9-1/2"

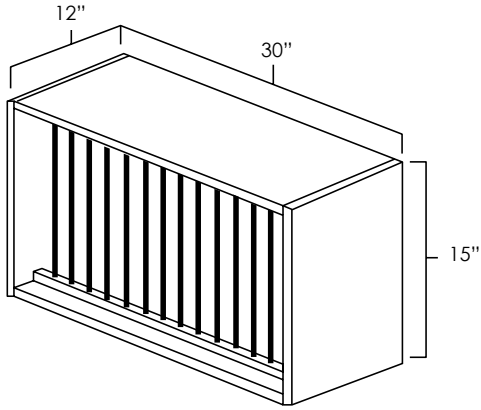


Large
 Width: 6-1/4"
 Depth: 6-1/2"
 Height: 13-1/4"

Accessories

PLATE RACK

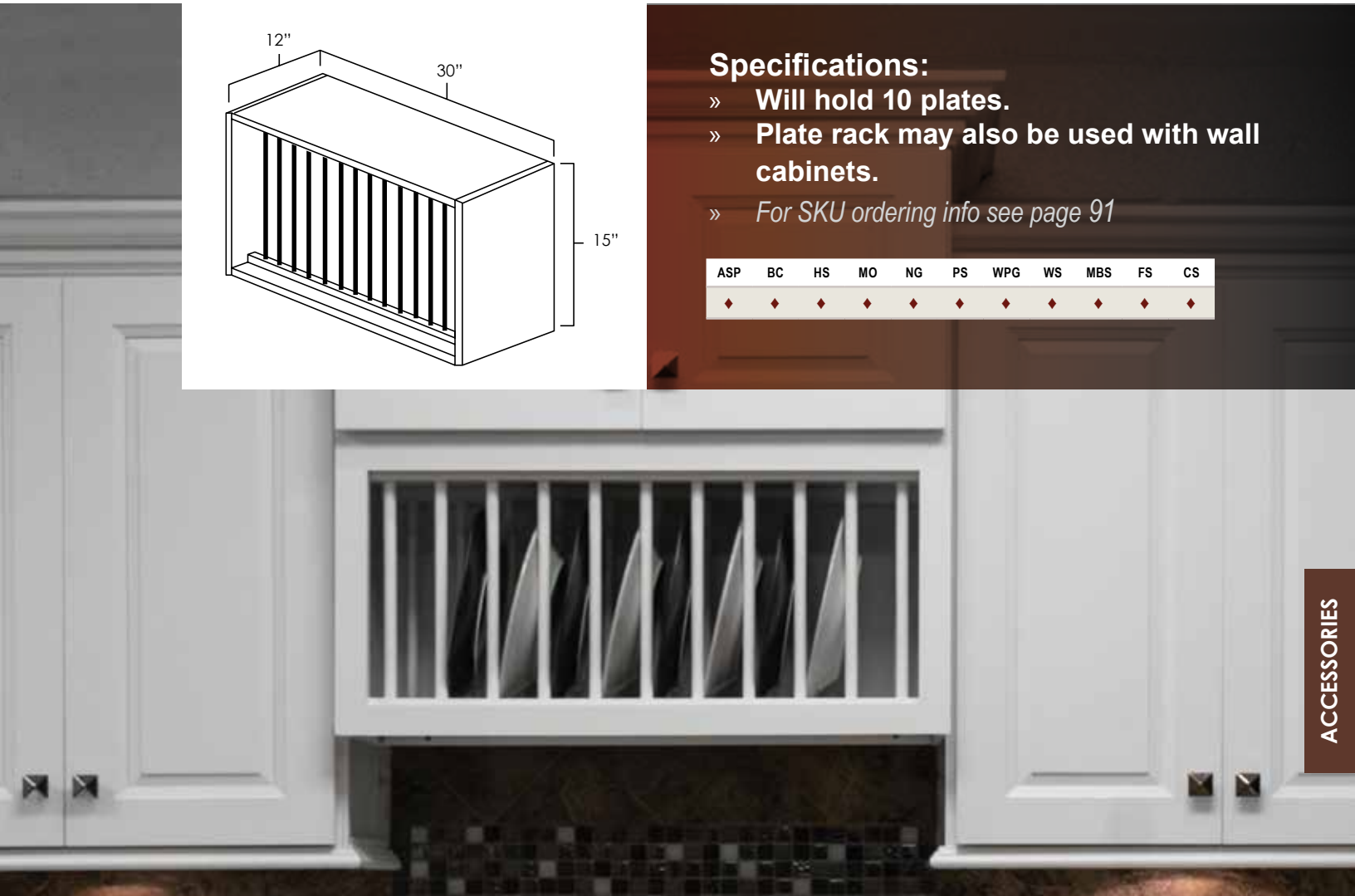
SKU: PR3015



Specifications:

- » Will hold 10 plates.
- » Plate rack may also be used with wall cabinets.
- » For SKU ordering info see page 91

ASP	BC	HS	MO	NG	PS	WPG	WS	MBS	FS	CS
◆	◆	◆	◆	◆	◆	◆	◆	◆	◆	◆



ACCESSORIES

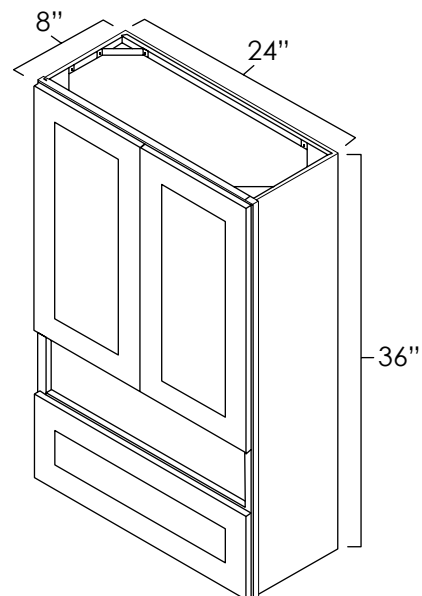
TOILET TOPPER

SKU: TT2436

Specifications:

- » Butt Doors on top
- » Tilt Out Drawer on bottom
- » Opening between doors and tilt out drawer has a matching finish
- » Opening is 20 7/8" wide x 5 3/4" tall
- » For SKU ordering info see page 91

ASP	BC	HS	MO	NG	PS	WPG	WS	MBS	FS	CS
N/A	N/A	◆	N/A	◆	◆	◆	◆	◆	◆	◆

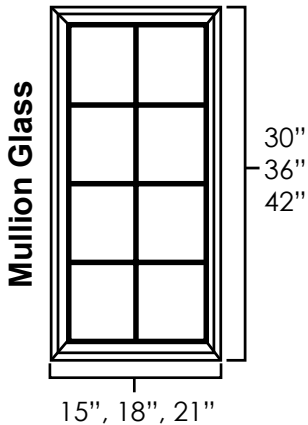


SINGLE GLASS DOORS

SKU: MD1530 • MD1830 • MD2130 • MD1536 • MD1836 • MD2136 • MD1542 • MD1842 • MD2142 • PG1530 • PG1830 • PG2130 • PG1536 • PG1836 • PG2136 • PG1542 • PG1842 • PG2142



ACCESSORIES



Specifications:

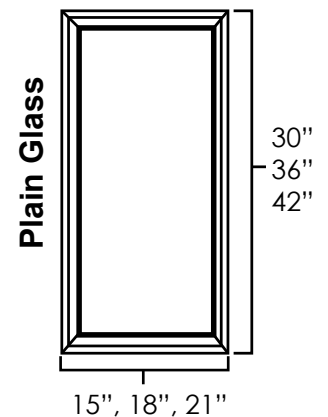
- » Match the profile of the selected door style.
- » The information following MD in the sku indicate the size / type of cabinet the door will fit.
EX: MD2442 fits a W2442.
EX: MDWDC36 fits a WDC2436.
- » 30" and 36" high cabinets will have 6 panes while 42" high cabinets will have 8.
For SKU ordering info see page 92

MD (Mullion)

ASP	BC	HS	MO	NG	PS	WPG	WS	MBS	FS	CS
..

PG (Plain Glass)

ASP	BC	HS	MO	NG	PS	WPG	WS	MBS	FS	CS
..



SET OF DOUBLE GLASS DOORS

SKU: MD2430 • MD3030 • MD3630 • MD2436 • MD3036 • MD3636 • MD2442 • MD3042 • MD3642 • PG2430 • PG3030 • PG3630 • PG2436 • PG3036 • PG3636 • PG2442 • PG3042 • PG3642



Specifications:

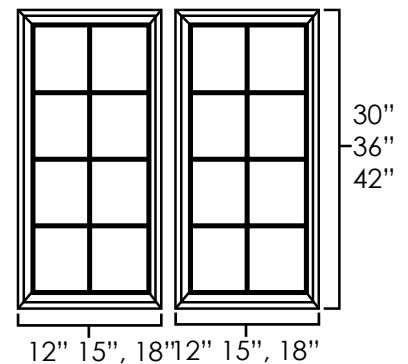
- » Match the profile of the selected door style.
- » The information following MD in the sku indicate the size / type of cabinet the door will fit.
EX: MD2442 fits a W2442.
EX: MDWDC36 fits a WDC2436.
- » 30" and 36" high cabinets will have 6 panes while 42" high cabinets will have 8.
- » *For SKU ordering info see page 93*

MD (Mullion)

ASP	BC	HS	MO	NG	PS	WPG	WS	MBS	FS	CS
..

PG (Plain Glass)

ASP	BC	HS	MO	NG	PS	WPG	WS	MBS	FS	CS
..



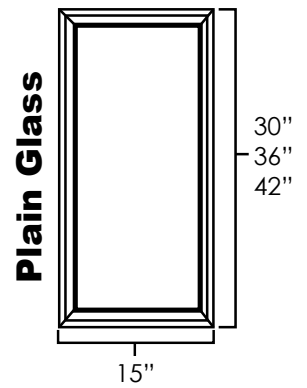
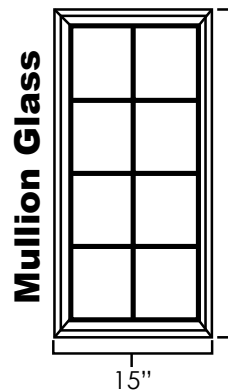
Accessories



ACCESSORIES

SINGLE GLASS DIAGONAL DOORS

SKU: MDWDC30 • MDWDC36 • MDWDC42 • PGWDC30 • PGWDC36 • PGWDC42



MD (Mullion)

ASP	BC	HS	MO	NG	PS	WPG	WS	MBS	FS	CS
•	•	•	•	•	•	•	•	•	•	•

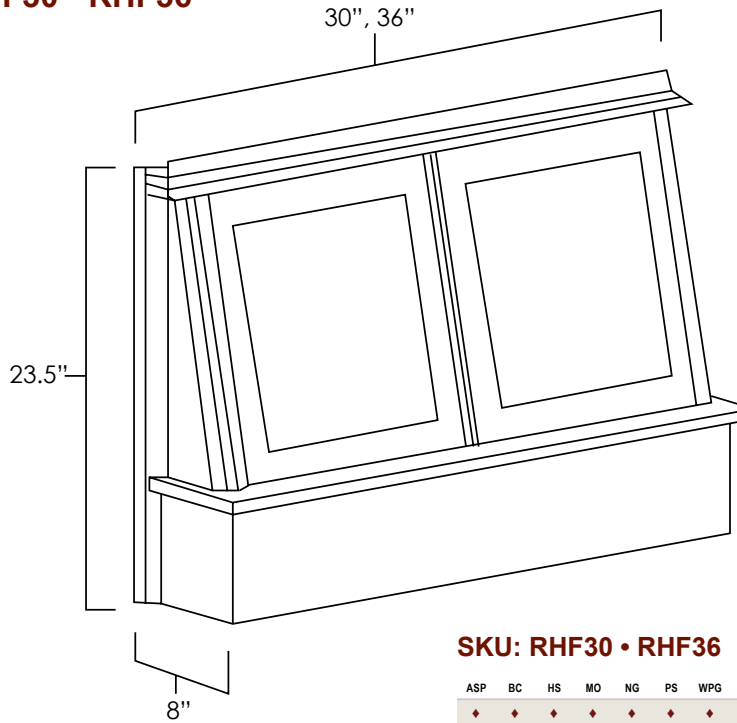
PG (Plain Glass)

ASP	BC	HS	MO	NG	PS	WPG	WS	MBS	FS	CS
•	•	•	•	•	•	•	•	•	•	•

» For SKU ordering info see page 92

RANGE HOOD FRONTS

SKU: RHF30 • RHF36



SKU: RHF30 • RHF36

ASP	BC	HS	MO	NG	PS	WPG	WS	MBS	FS	CS
◆	◆	◆	◆	◆	◆	◆	◆	◆	◆	◆

Specifications:

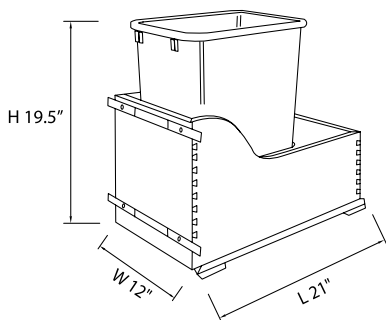
- » Must be installed between two cabinets for support.
- » Before installation of the RHF occurs, the blower should be installed and the depth adjusted using fillers and/or panels to fit the blower.
- » **INSTALL BLOWER FIRST**
- » For SKU ordering info see page 93

REV-A-SHELF SINGLE TRASH CAN KIT

SKU: 4VLWCSC1535DM111-18

Specifications:

- » Single 35QT Frame with Slides & Trash Can.
- » Will Fit A 15" - 18" Base Cabinet.
- » Compatible with all lines and door mounts to the front of the shelf.
- » For SKU ordering info see page 93



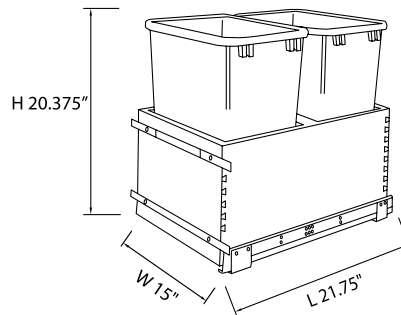
ASP	BC	HS	MO	NG	PS	WPG	WS	MBS	FS	CS	UNIV
NA	NA	NA	NA	NA	NA	NA	NA	NA	NA	NA	◆

REV-A-SHELF DOUBLE TRASH CAN KIT

SKU: 4VLWCSC1835DM211-12

Specifications:

- » Double 35QT Frame with Slides & Trash Cans.
- » Compatible with all lines and door mounts to the front of the shelf.
- » For SKU ordering info see page 93



ASP	BC	HS	MO	NG	PS	WPG	WS	MBS	FS	CS	UNIV
NA	NA	NA	NA	NA	NA	NA	NA	NA	NA	NA	◆



ACCESSORIES

Accessories



WALL END PANEL

SKU: WEP1542

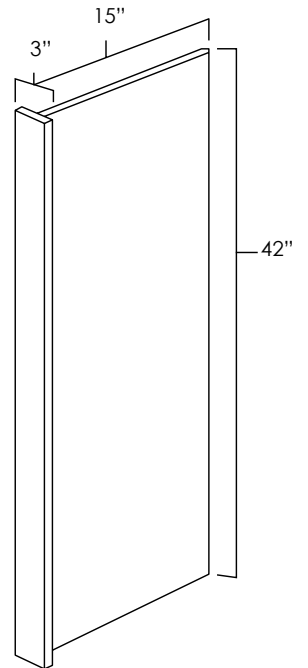


Picture to the left

Wall end panel is used on the side of a wall cabinet with decorative panel pictured in Aspen White

Specifications:

- » 1/2" thick panel with a 3" wide wall filler on the front.
- » Can be trimmed to desired height and/or width.
- » May be used either left or right.
- » For SKU ordering info see page 94



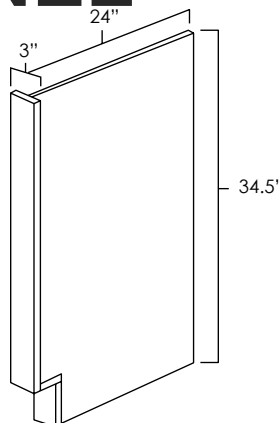
PANELS, FILLERS & TRIMS

BASE END PANEL

SKU: BEP3

Specifications:

- » 1/2" thick panel with a 3" wide base filler on the front.
- » May be used either left or right.
- » For SKU ordering info see page 94



Panels, Fillers & Trims

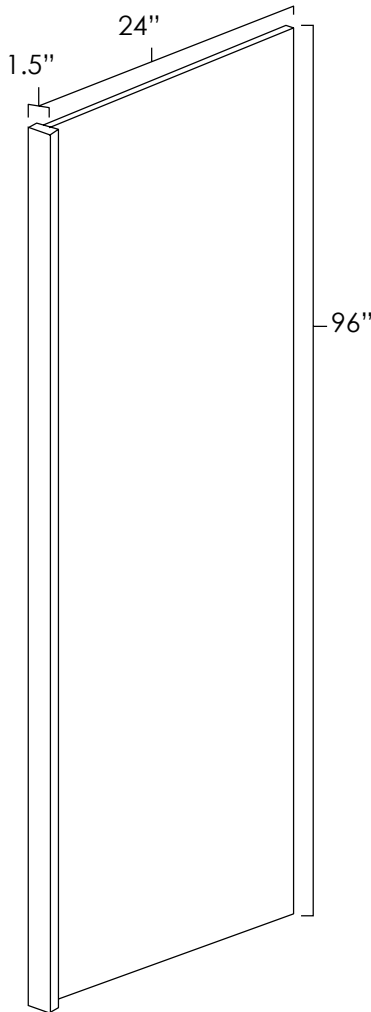
REFRIGERATOR END PANEL

SKU: REP9624

Specifications:

- » **1/2" thick panel with a 1 1/2" wide filler on the front.**
- » **Can be trimmed to desired height and/or width.**
- » **May be used either left or right.**
- » *For SKU ordering info see page 94*

ASP	BC	HS	MO	NG	PS	WPG	WS	MBS	FS	CS
♦	♦	♦	♦	♦	♦	♦	♦	♦	♦	♦



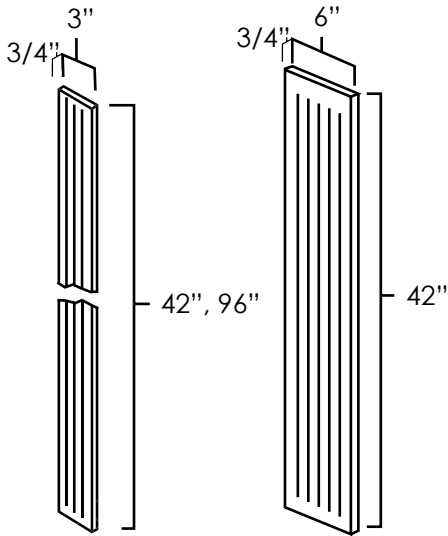
Picture to the right

A refrigerator end panel is used on the side of the fridge with three decorative panels pictured in Bristol Chocolate.



FLUTED WALL FILLERS

SKU: WFF342 • WFF642 • WFF396



Specifications:

- » 3/4" thick.
- » Can be trimmed to desired height.
- » 3" wide fillers have 3 flutes.
- » 6" wide fillers have 5 flutes.
- » Flutes begin 1.5" from the top and end 1.5" from the bottom.
- » *For SKU ordering info see page 94*

ASP	BC	HS	MO	NG	PS	WPG	WS	MBS	FS	CS
◆	◆	◆	◆	◆	◆	◆	◆	◆	◆	◆

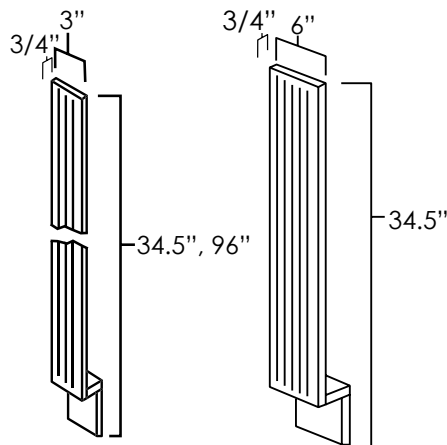


FLUTED BASE FILLERS

SKU: BFF3 • BFF6 • TFF396

Specifications:

- » 3/4" thick.
- » Can be trimmed to desired height.
- » 3" wide fillers have 3 flutes.
- » 6" wide fillers have 5 flutes.
- » Flutes begin 1.5" from the top and end 1.5" from the bottom.
- » The toe kick area is not fluted.
- » *For SKU ordering info see page 94*

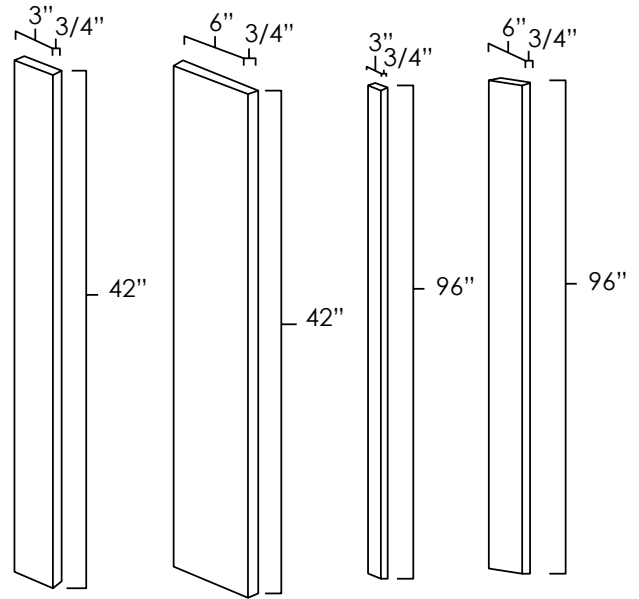


ASP	BC	HS	MO	NG	PS	WPG	WS	MBS	FS	CS
◆	◆	◆	◆	◆	◆	◆	◆	◆	◆	◆

Panels, Fillers & Trims

WALL FILLERS

SKU: WF342 • WF642 • WF396 • WF696



Specifications:

- » 3/4" thick.
- » Can be trimmed to desired height and/or width.
- » For SKU ordering info see page 94

	ASP	BC	HS	MO	NG	PS	WPG	WS	MBS	FS	CS
WF342 • WF642 • WF396	♦	♦	♦	♦	♦	♦	♦	♦	♦	♦	♦
WF696	ASP	BC	HS	MO	NG	PS	WPG	WS	MBS	FS	CS
	N/A	N/A	♦	N/A	♦	♦	♦	♦	♦	♦	♦

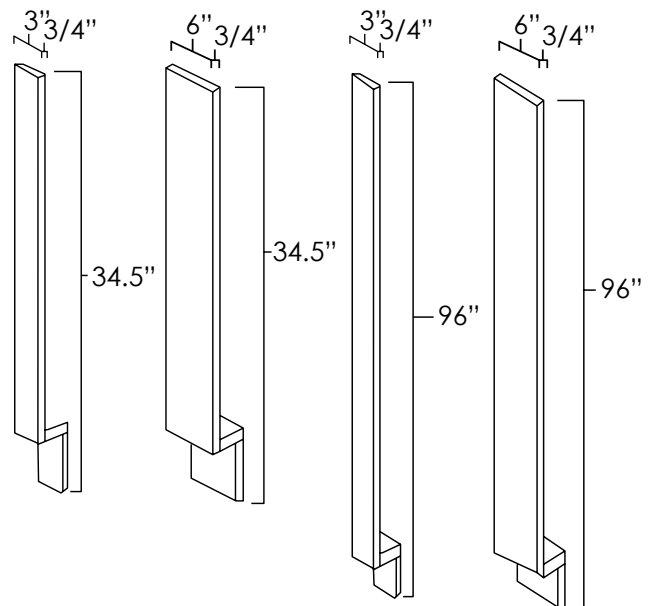
BASE FILLERS

SKU: BF3 • BF6 • TF396 • TF696

Specifications:

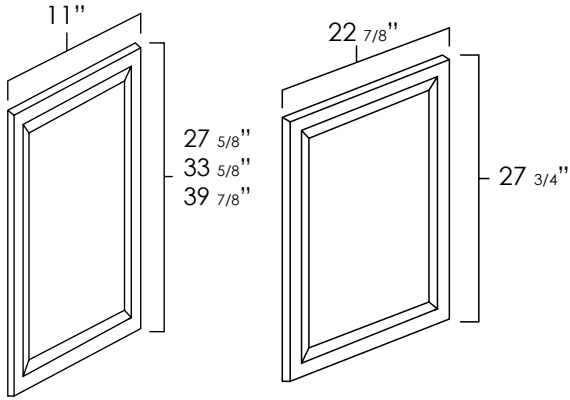
- » 3/4" thick.
- » Can be trimmed to desired height and/or width.
- » For SKU ordering info see page 95

	ASP	BC	HS	MO	NG	PS	WPG	WS	MBS	FS	CS
BF3 • BF6 • TF396	♦	♦	♦	♦	♦	♦	♦	♦	♦	♦	♦
TF696	ASP	BC	HS	MO	NG	PS	WPG	WS	MBS	FS	CS
	♦	♦	♦	♦	♦	♦	N/A	♦	♦	♦	♦



DECORATIVE END PANELS

SKU: DP1230 • DP1236 • DP1242 • DP2430



Specifications:

- » These three panel sizes will resemble the wall cabinet doors.
- » The last two digits in the item number indicate the height of wall cabinet these panels will fit. Ex: DP1236 will fit the side of a W1236.
- » For SKU ordering info see page 95

ASP	BC	HS	MO	NG	PS	WPG	WS	MBS	FS	CS
♦	♦	♦	♦	♦	♦	♦	♦	♦	♦	♦

PANELS, FILLERS & TRIMS

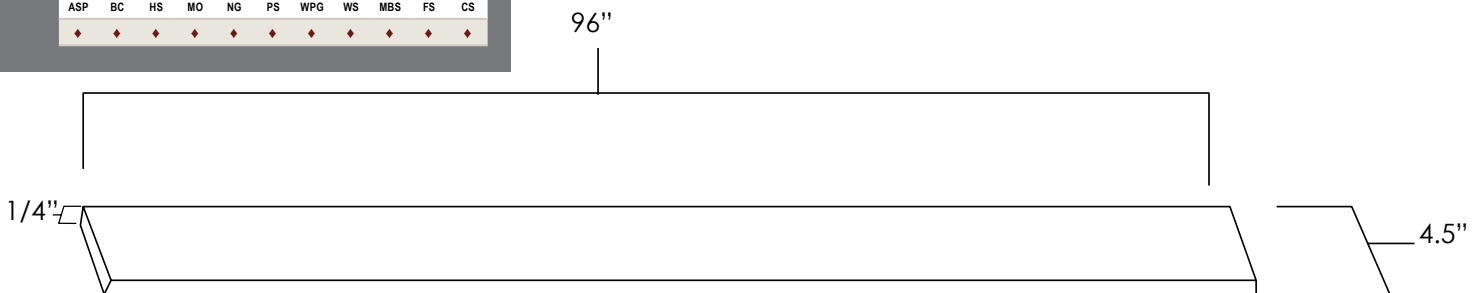
TOE KICK

SKU: TK8

Specifications:

- » 1/4" thick.
- » Can be cut to fit.
- » For SKU ordering info see page 95

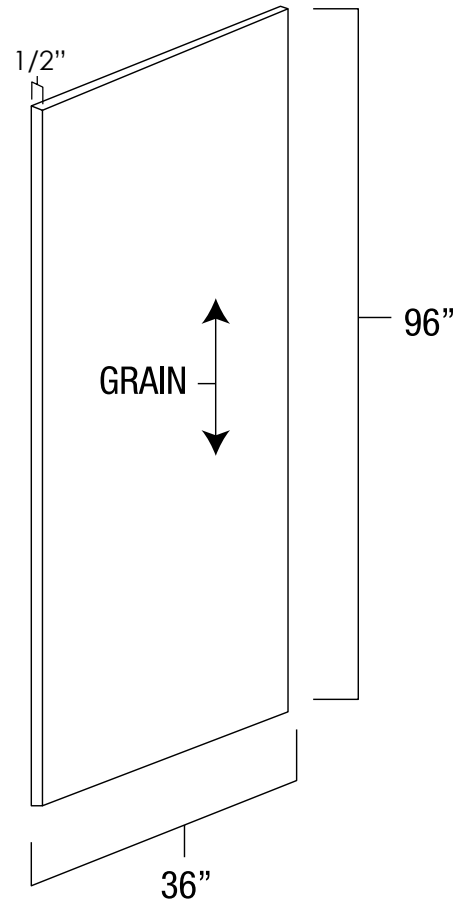
ASP	BC	HS	MO	NG	PS	WPG	WS	MBS	FS	CS
♦	♦	♦	♦	♦	♦	♦	♦	♦	♦	♦



Panels, Fillers & Trims

ISLAND PANELS

SKU: IS3696



Specifications:

- » 1/2" thick.
- » Can be trimmed to desired height and/or width.
- » For SKU ordering info see page 95



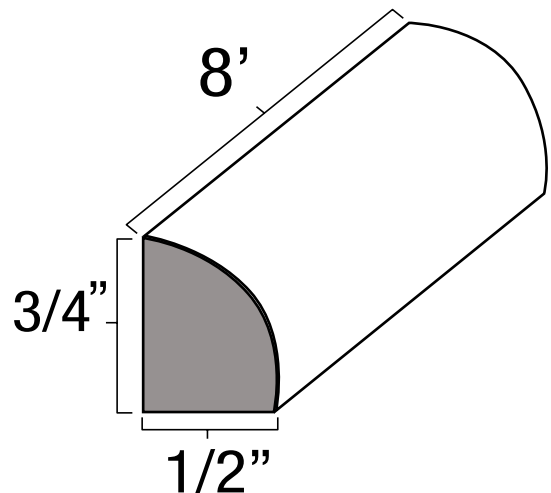
PANELS, FILLERS & TRIMS

SHOE MOULDING

SKU: SHM8

Specifications:

- » 3/4" tall
- » 1/2" thick
- » Can be trimmed to desired height and/or width.
- » For SKU ordering info see page 95



ROPE INSERT MOULDING

SKU: ROPE8

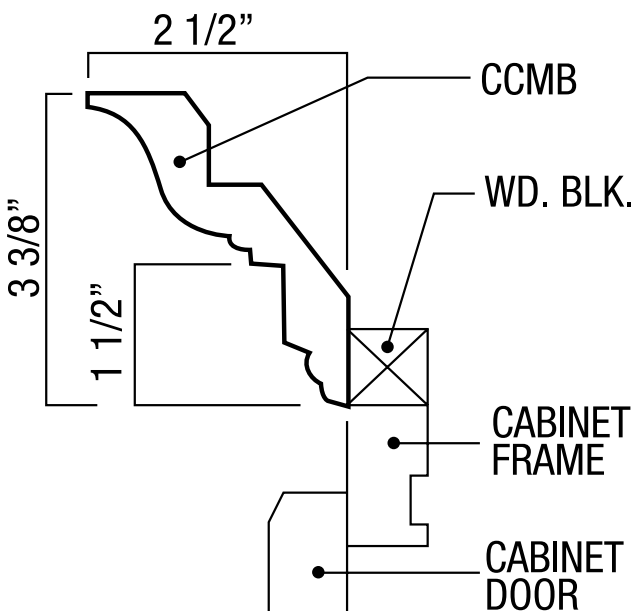
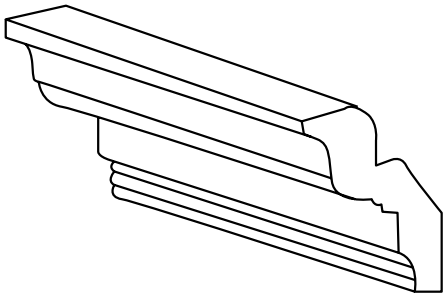


Specifications:

- » Sold in 8 ft long sections.
- » 9/16th of an inch wide.
- » 1/4 inch thick.
- » Crown molding insert.
- » For SKU ordering info see page 95

CROWN MOULDING

SKU: LCM8



Specifications:

- » Sold in 8ft long sections.
- » Flat section to accommodate Rope insert.
- » When applying crown to full overlay cabinets a crown backer will be required.
- » For SKU ordering info see page 95



Panels, Fillers & Trims

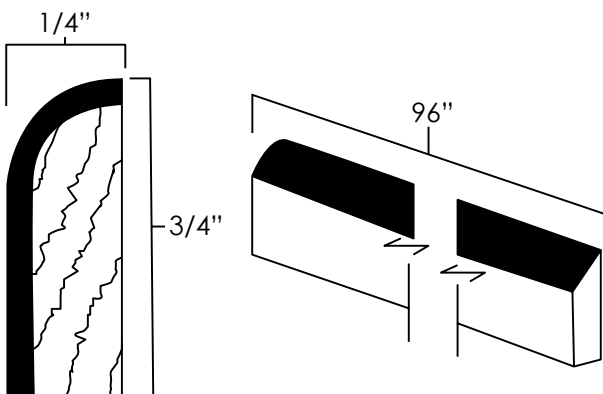


SCRIBE MOULDING **SKU: SM8**

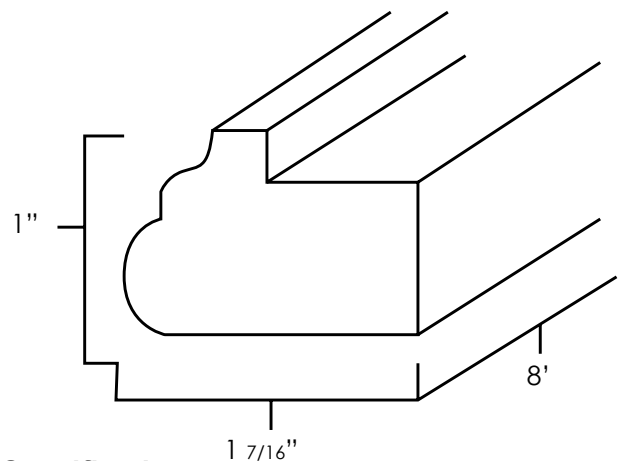
Specifications:

- » Sold in 8 ft long sections.
- » Use behind Light Rail Molding when wrapping around the side of a wall cabinet.
- » For SKU ordering info see page 96

ASP BC HS MO NG PS WPG WS MBS FS CS
♦ ♦ ♦ ♦ ♦ ♦ ♦ ♦ ♦ ♦ ♦



LIGHT RAIL MOULDING **SKU: LRM8**



Specifications:

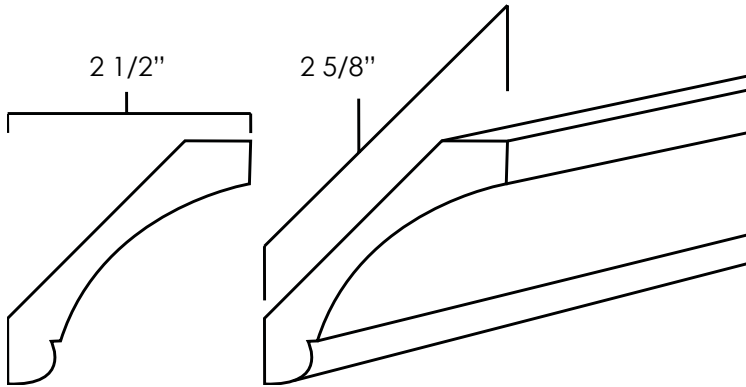
- » Sold in 8 ft long sections.
- » For SKU ordering info see page 96

ASP BC HS MO NG PS WPG WS MBS FS CS
♦ ♦ ♦ ♦ ♦ ♦ ♦ ♦ ♦ ♦ ♦

COVE CROWN MOULDING

SKU: LVC

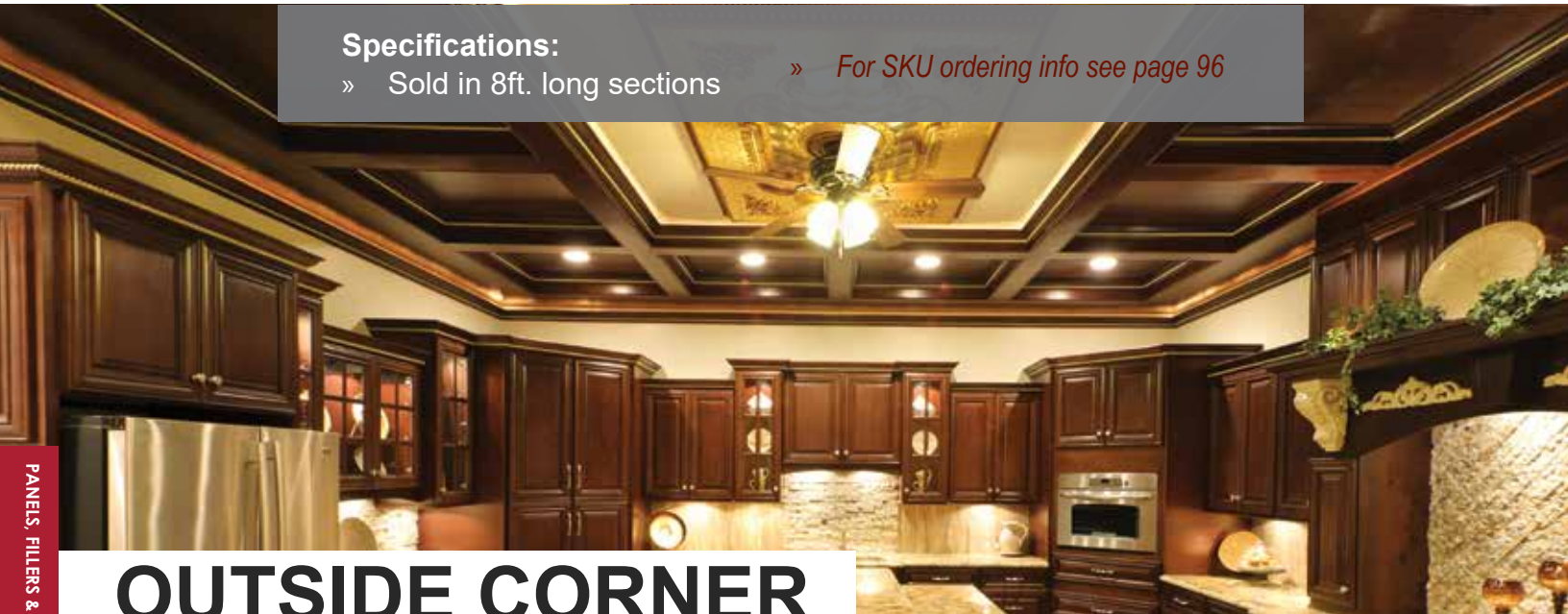
WS-LVC • HS-LVC • MBS-LVC • FS-LVC • CS-LVC • PS-LVC



Specifications:

» Sold in 8ft. long sections

» For SKU ordering info see page 96



PANELS, FILLERS & TRIMS

OUTSIDE CORNER MOULDING

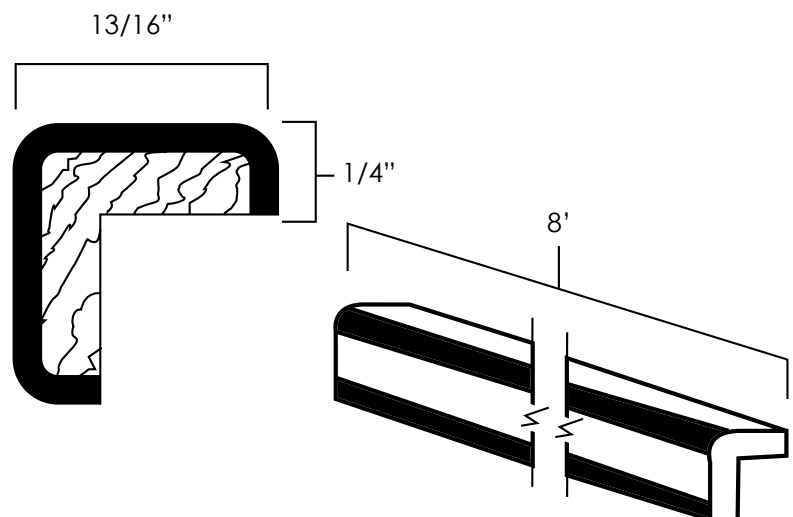
SKU: OCS8

Specifications:

» Sold in 8ft. long sections

» For SKU ordering info see page 96

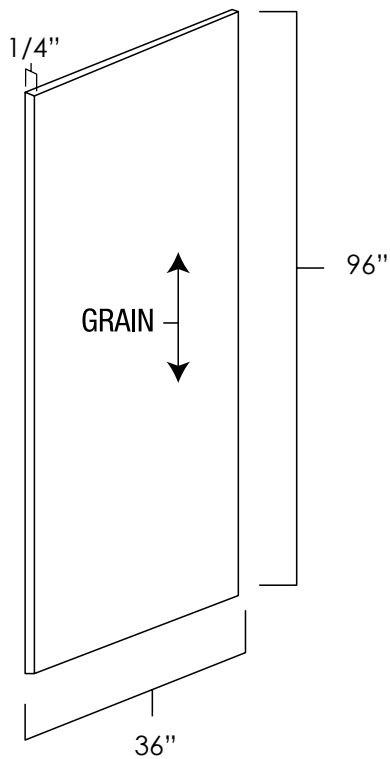
ASP	BC	HS	MO	NG	PS	WPG	WS	MBS	FS	CS
♦	♦	♦	♦	♦	♦	♦	♦	♦	♦	♦



Panels, Fillers & Trims

WALL SKIN

SKU: WS1542



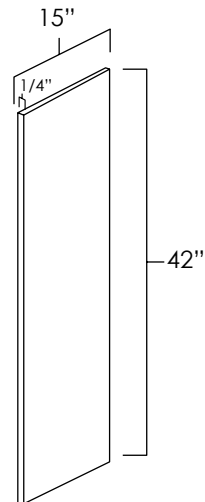
STAINED PLYWOOD

Specifications:

- » Sold in 8ft. long sections
- » 1/4" thick.
- » For SKU ordering info see page 96

SKU: SPW

ASP	BC	HS	MO	NG	PS	WPG	WS	MBS	FS	CS
♦	♦	♦	♦	♦	♦	♦	♦	♦	♦	♦



Specifications:

- » 1/4" thick.
- » Can be trimmed to desired height and/or width.
- » For SKU ordering info see page 96

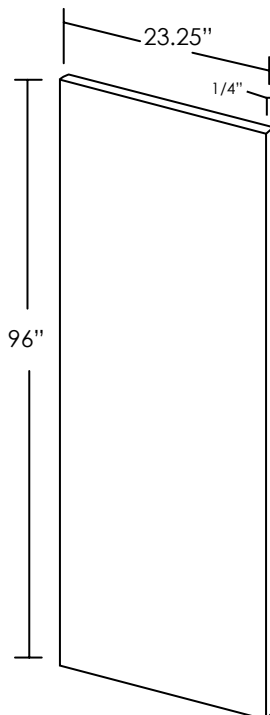
ASP	BC	HS	MO	NG	PS	WPG	WS	MBS	FS	CS
♦	♦	♦	♦	♦	♦	♦	♦	♦	♦	♦

BASE SKIN

SKU: BS2435

TALL SKIN

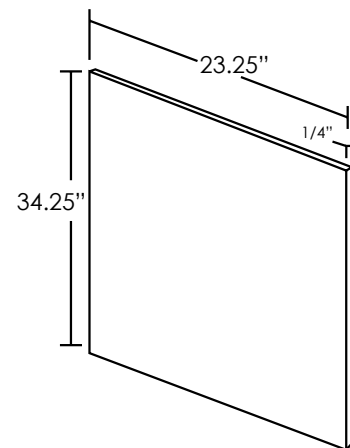
SKU: TS2496



Specifications:

- » 1/4" thick plywood finished to match
- » Field trimmable
- » For SKU ordering info see page 96

ASP	BC	HS	MO	NG	PS	WPG	WS	MBS	FS	CS
N/A	N/A	♦	N/A	♦	N/A	N/A	N/A	N/A	N/A	N/A



Specifications:

- » 1/4" thick plywood finished to match
- » Field trimmable
- » For SKU ordering info see page 96

ASP	BC	HS	MO	NG	PS	WPG	WS	MBS	FS	CS
N/A	N/A	♦	N/A	♦	N/A	N/A	N/A	N/A	N/A	N/A

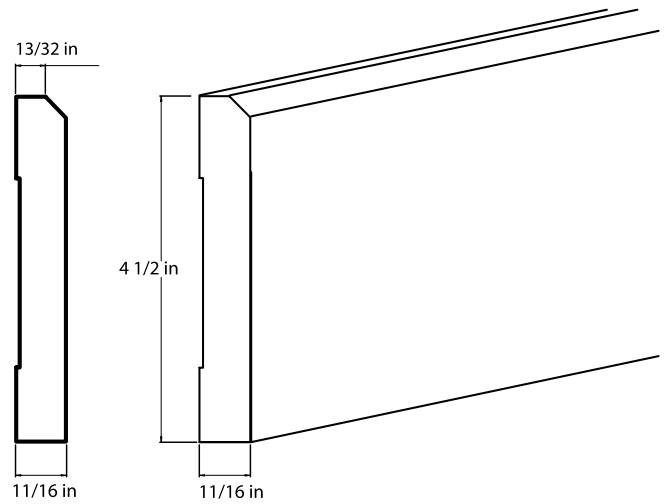
DECORATIVE BASE MOULDING

SKU: DEC004

Specifications:

- » Sold in 8 ft long sections.
- » 4 1/2" inches tall.
- » 11/16 inch thick.
- » For SKU ordering info see page 97

ASP	BC	HS	MO	NG	PS	WPG	WS	MBS	FS	CS
◆	N/A	◆	N/A	◆	◆	◆	◆	◆	◆	◆



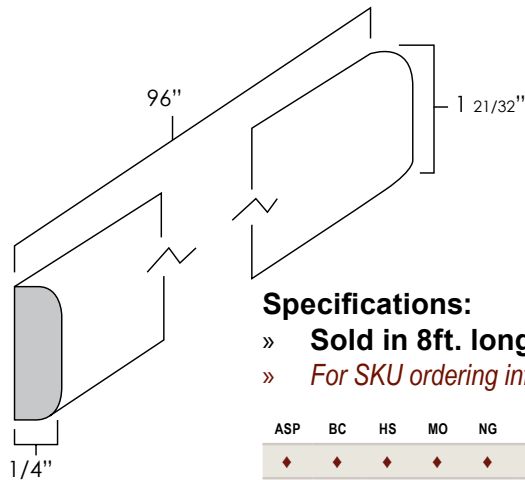
BATTEN MOULDING

SKU: BM8

Specifications:

- » Sold in 8ft. long sections
- » For SKU ordering info see page 97

ASP	BC	HS	MO	NG	PS	WPG	WS	MBS	FS	CS
◆	◆	◆	◆	◆	◆	◆	◆	◆	◆	◆



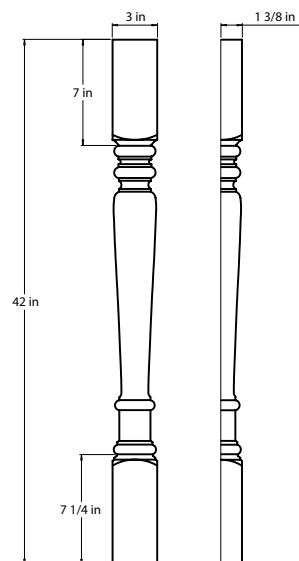
SPLIT CORNER DECORATIVE LEG

SKU: SCDL

Specifications:

- » Sold in 42" long sections.
- » For SKU ordering info see page 97

ASP	BC	HS	MO	NG	PS	WPG	WS	MBS	FS	CS
◆	N/A	◆	N/A	◆	◆	◆	◆	◆	◆	◆



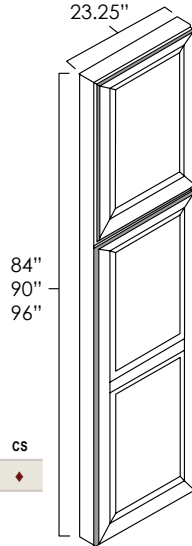
Panels, Fillers & Trims

MATCHING TALL END PANEL

**SKU: MTEP84
MTEP90 • MTEP96**

Specifications:

- » Attaches to side of tall cabinet
- » 3/4" thick plywood finished to match
- » Not trimmable
- » Comes in two pieces
- » For SKU ordering info see page 97



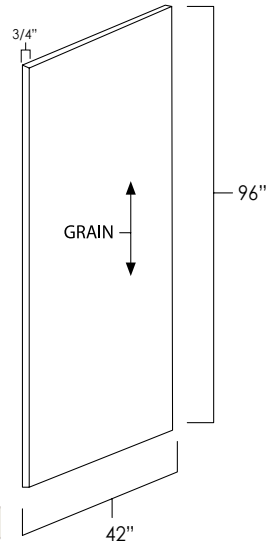
ASP	BC	HS	MO	NG	PS	WPG	WS	MBS	FS	CS
N/A	N/A	◆	N/A	◆	◆	◆	◆	◆	◆	◆

PLYWOOD EDGE BANDED

SKU: PLYEB42

Specifications:

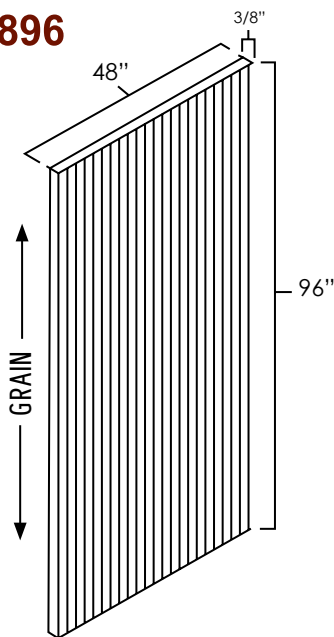
- » Specifications:
- » Grain runs with long side
- » Field trimmable
- » For SKU ordering info see page 97



ASP	BC	HS	MO	NG	PS	WPG	WS	MBS	FS	CS
N/A	N/A	◆	N/A	◆	◆	◆	◆	◆	◆	◆

BEAD BOARD

SKU: BBFBP4896



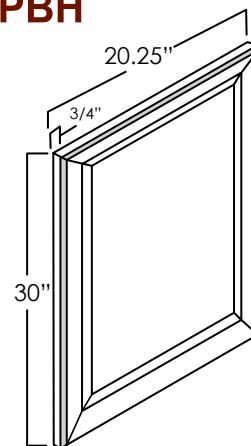
Specifications:

- » 3/8" thick
- » Field trimmable
- » For SKU ordering info see page 97

ASP	BC	HS	MO	NG	PS	WPG	WS	MBS	FS	CS
N/A	N/A	◆	N/A	◆	◆	◆	◆	◆	◆	◆

MATCHING VANITY END PANEL

SKU: MVEPBH



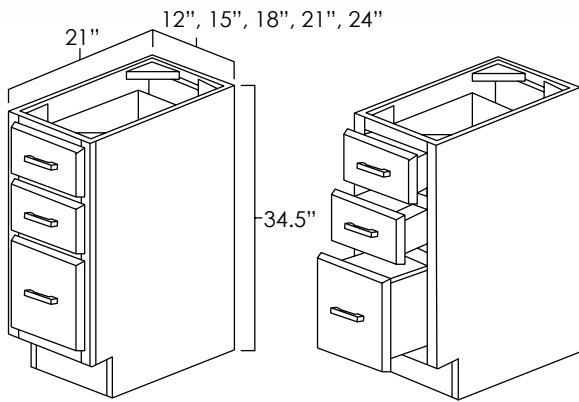
Specifications:

- » Attaches to side of vanity base cabinet
- » Matches style and color of cabinet doors
- » For SKU ordering info see page 97

ASP	BC	HS	MO	NG	PS	WPG	WS	MBS	FS	CS
N/A	N/A	◆	N/A	◆	◆	◆	◆	◆	◆	◆

VANITY DRAWERS BASE CABINETS

SKU: VDB1221 • VDB1521 • VDB1821 • VDB2121 • VDB2421



Specifications:

- » Depth: 21".
- » All styles have one standard drawer on top and two deep drawers below.
- » All three drawers are fully functioning.
- » *For SKU ordering info see page 98*

SKU: VDB1221 • VDB1521 • VDB1821

ASP	BC	HS	MO	NG	PS	WPG	WS	MBS	FS	CS
♦	♦	♦	♦	♦	♦	♦	♦	♦	♦	♦

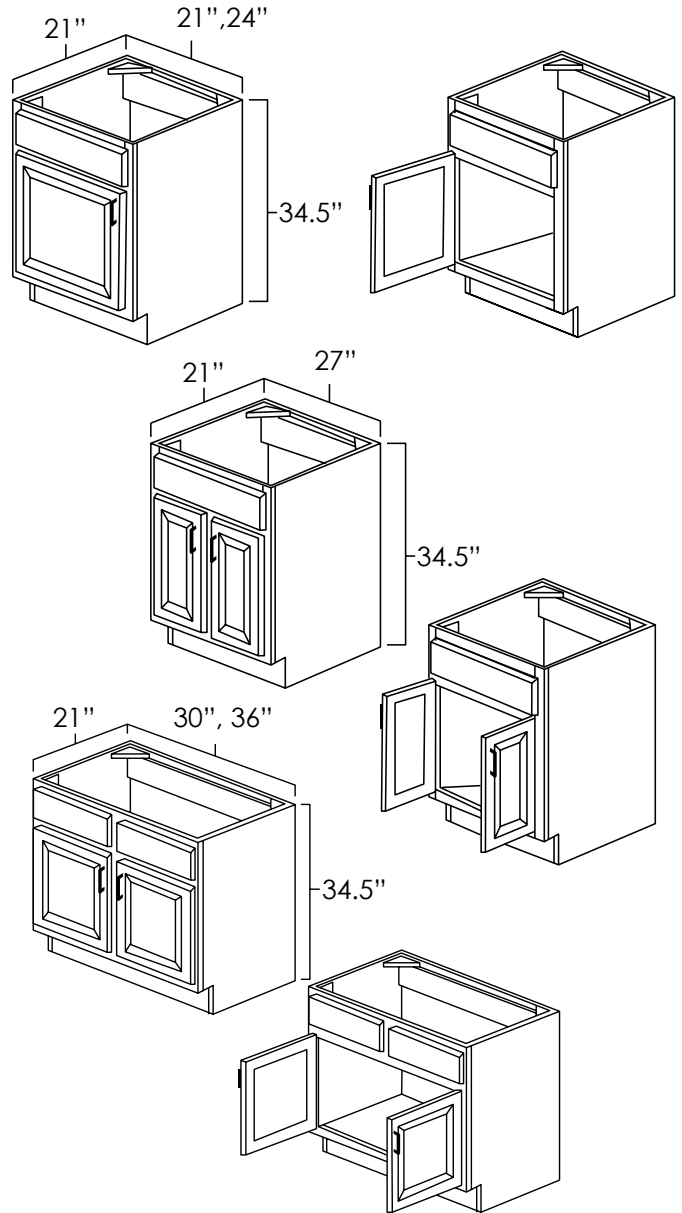
SKU: VDB2121 • VDB2421

ASP	BC	HS	MO	NG	PS	WPG	WS	MBS	FS	CS
♦	N/A	♦	N/A	♦	♦	♦	♦	♦	♦	♦

Vanities

VANITY SINK BASE CABINETS

SKU: V2121 • V2421 • V2721 • V3021 • V3621



Specifications:

- » There are no shelves or drawers in these cabinets
- » Butt doors on all three vanity sink bases
- » Depth: 21"
- » For SKU ordering info see page 98

SKU: V2121 • V2721

ASP	BC	HS	MO	NG	PS	WPG	WS	MBS	FS	CS
◆	N/A	◆	N/A	◆	◆	◆	◆	◆	◆	◆

SKU: V2421 • V3021 • V3621

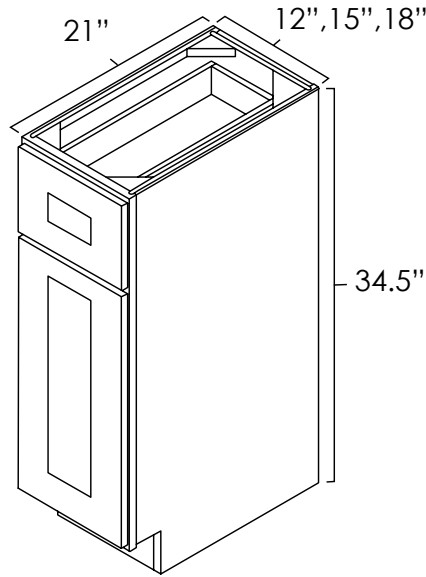
ASP	BC	HS	MO	NG	PS	WPG	WS	MBS	FS	CS
◆	◆	◆	◆	◆	◆	◆	◆	◆	◆	◆

VANITY BASE

SKU: VB12 • VB15 • VB18

Specifications:

- » One standard height dovetail drawer
- » One Door
- » One 1/2 depth adjustable shelf
- » For SKU ordering info see page 98

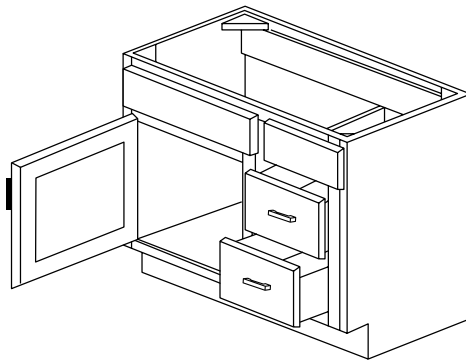
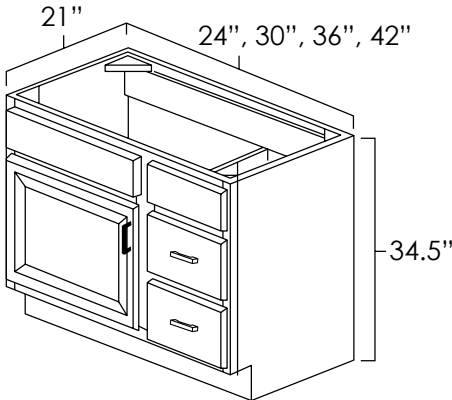


ASP	BC	HS	MO	NG	PS	WPG	WS	MBS	FS	CS
N/A	N/A	◆	N/A	◆	◆	◆	◆	◆	◆	◆



SINGLE DOOR VANITY CABINETS

SKU: V2421DL • V2421DR • V3021DL • V3021DR • V3621DL • V3621DR • V4221DL • V4221DR



Specifications:

- » Depth: 21".
- » There are no shelves in these cabinets.
- » Only the bottom two drawers are functioning.
- » 24" has one standard false drawer on top and 2 deep drawers below. All other sizes have two false drawers on top and 2 deep drawers below.
- » **WHEN INDICATING RIGHT (R) or LEFT (L), IT CORRESPONDS TO THE SIDE THE DRAWERS ARE ON WHILE LOOKING AT IT**
- » For SKU ordering info see page 98

SKU: V2421DL • V2421DR

ASP	BC	HS	MO	NG	PS	WPG	WS	MBS	FS	CS
◆	N/A	◆	N/A	◆	◆	◆	◆	◆	◆	◆

SKU: V3021DL • V3021DR • V3621DL • V3621DR

ASP	BC	HS	MO	NG	PS	WPG	WS	MBS	FS	CS
◆	◆	◆	◆	◆	◆	◆	◆	◆	◆	◆

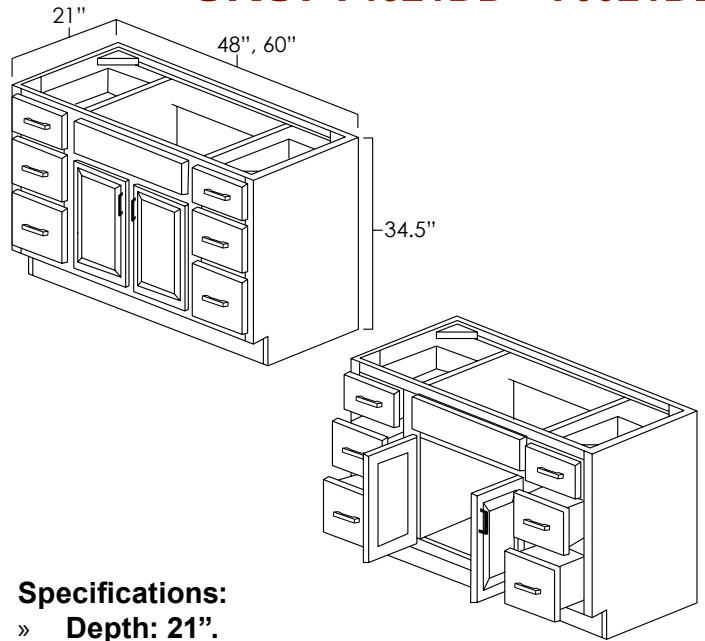
SKU: V4221DL • V4221DR

ASP	BC	HS	MO	NG	PS	WPG	WS	MBS	FS	CS
N/A	N/A	◆	N/A	◆	◆	◆	◆	◆	◆	◆

Vanities

DOUBLE DOOR VANITY CABINETS

SKU: V4821DD • V6021DD



Specifications:

- » Depth: 21".
- » There are no shelves in these cabinets.
- » All six drawers are fully functioning.
- » All styles have two standard drawers on top and four deep drawers below.
- » Butt doors on both vanity combinations.
- » For SKU ordering info see page 98

SKU: V4821DD

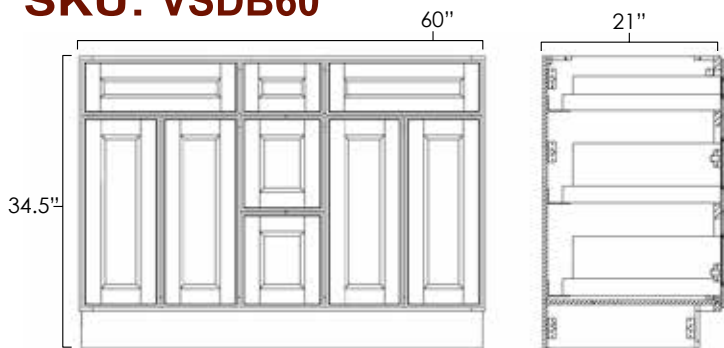
ASP	BC	HS	MO	NG	PS	WPG	WS	MBS	FS	CS
♦	♦	♦	♦	♦	♦	♦	♦	♦	♦	♦

SKU: V6021DD

ASP	BC	HS	MO	NG	PS	WPG	WS	MBS	FS	CS
♦	♦	♦	♦	♦	♦	♦	♦	♦	♦	♦

DOUBLE SINK VANITY CABINETS

SKU: VSDB60



» For SKU ordering info see page 99

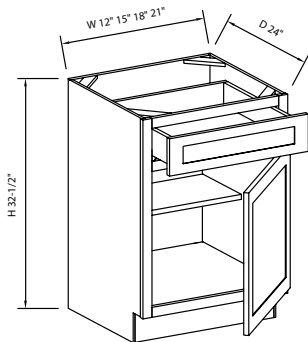
ASP	BC	HS	MO	NG	PS	WPG	WS	MBS	FS	CS
♦	N/A	♦	N/A	♦	♦	♦	♦	♦	♦	♦



VANITIES

ADA SINGLE DOOR SINGLE DRAWER BASE CABINETS

SKU: ADAB12 • ADAB15 • ADAB18 • ADAB21

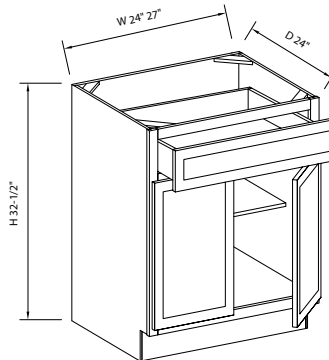


- Specifications:**
- » 1/2 depth adjustable shelf.
 - » For SKU ordering info see page 99

ASP	BC	HS	MO	NG	PS	WPG	WS	MBS	FS	CS
N/A	N/A	N/A	N/A	N/A	N/A	N/A	◆	N/A	N/A	N/A

ADA DOUBLE DOOR SINGLE DRAWER BASE CABINETS

SKU: ADAB24 • ADAB27

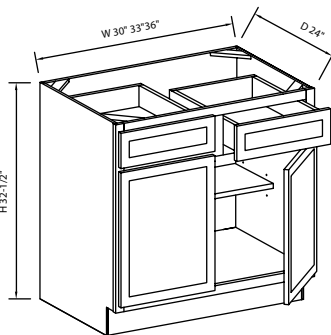


- Specifications:**
- » 1/2 depth adjustable shelf.
 - » Butt doors on both 24" and 27" wide bases.
 - » For SKU ordering info see page 99

ASP	BC	HS	MO	NG	PS	WPG	WS	MBS	FS	CS
N/A	N/A	N/A	N/A	N/A	N/A	N/A	◆	N/A	N/A	N/A

ADA DOUBLE DOORS & DRAWERS BASE CABINETS

SKU: ADAB30 • ADAB33 • ADAB36
ADAB39 • ADAB42 • ADAB48

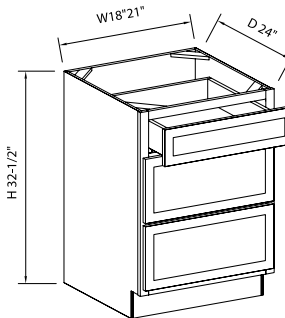


- Specifications:**
- » 1/2" depth adjustable shelf.
 - » Butt doors on 30" through 36" wide bases.
 - » For SKU ordering info see page 99

ASP	BC	HS	MO	NG	PS	WPG	WS	MBS	FS	CS
N/A	N/A	N/A	N/A	N/A	N/A	N/A	◆	N/A	N/A	N/A

ADA DRAWER BASE CABINETS

SKU: ADADB18 • ADADB21

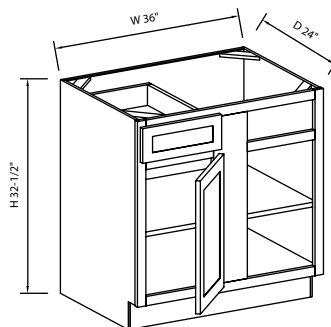


- Specifications:**
- » All drawer bases have a small top drawer and two larger bottom drawers
 - » For SKU ordering info see page 99

ASP	BC	HS	MO	NG	PS	WPG	WS	MBS	FS	CS
N/A	N/A	N/A	N/A	N/A	N/A	N/A	◆	N/A	N/A	N/A

ADA BLIND CORNER BASE CABINETS

SKU: ADABBC36



- Specifications:**
- » Adjustable to 45" wide.
 - » May not be pulled farther than 9".
 - » 12 7/8" door overlays 11 7/8" frame opening.
 - » May be used as a right (R) or left (L) blind setup.
 - » Full overlay cabinets must be pulled a minimum of 4" and remaining styles must be pulled a minimum of 3". May be necessary to pull further to allow clearance for door and drawer hardware.
 - » For SKU ordering info see page 100

ASP	BC	HS	MO	NG	PS	WPG	WS	MBS	FS	CS
N/A	N/A	N/A	N/A	N/A	N/A	N/A	◆	N/A	N/A	N/A



Platinum Shaker
Coming Soon

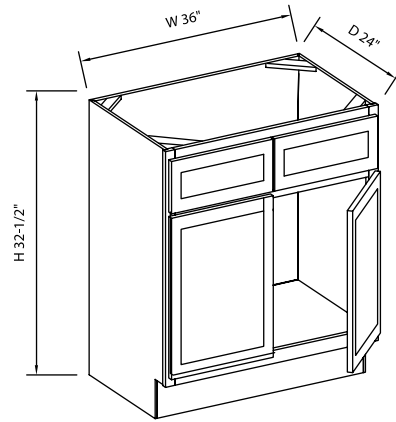
ADA SINK BASE CABINETS

SKU: ADASB36

Specifications:

- » There are no shelves in this cabinet.
- » There are no drawers in this cabinet.
- » Butt doors on this 33" or 36" wide cabinet.
- » Any base may be used as a sink base by simply not installing the drawer hardware and attaching only the drawer faces to the cabinet as false fronts.
- » For SKU ordering info see page 100

ASP	BC	HS	MO	NG	PS	WPG	WS	MBS	FS	CS
N/A	N/A	N/A	N/A	N/A	N/A	N/A	◆	N/A	N/A	N/A



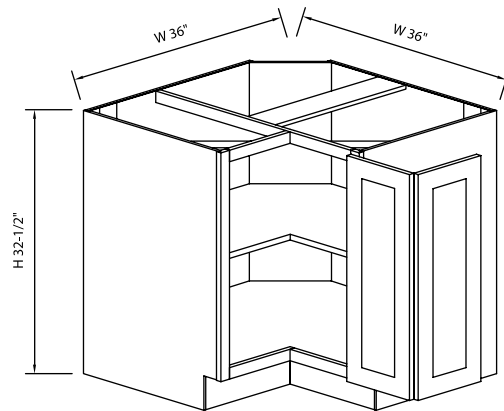
ADA LAZY SUSAN CORNER BASE CABINETS

SKU: ADALS3612

Specifications:

- » Stainless steel baskets are standard.
- » There are two baskets per cabinet.
- » Both baskets are height adjustable.
- » Lazy susan doors may be mounted to open right or left.
- » For SKU ordering info see page 100

ASP	BC	HS	MO	NG	PS	WPG	WS	MBS	FS	CS
N/A	N/A	N/A	N/A	N/A	N/A	N/A	◆	N/A	N/A	N/A



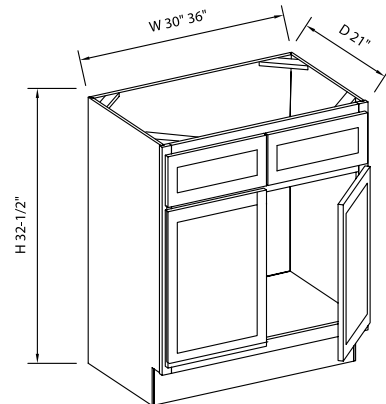
ADA VANITY SINK BASE CABINETS

SKU: ADAV3021 • ADAV3621

Specifications:

- » There are no shelves or drawers in these cabinets
- » Butt doors on all three vanity sink bases
- » Depth: 21"
- » For SKU ordering info see page 100

ASP	BC	HS	MO	NG	PS	WPG	WS	MBS	FS	CS
N/A	N/A	N/A	N/A	N/A	N/A	N/A	◆	N/A	N/A	N/A



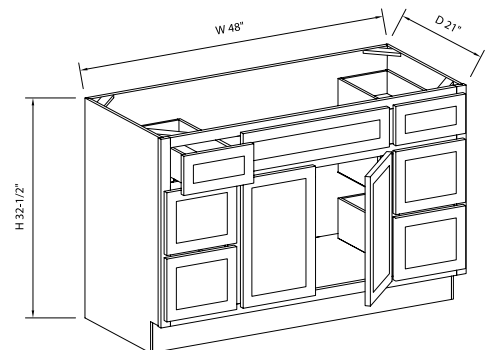
ADA DOUBLE DOOR VANITY CABINETS

SKU: ADAV4821DD

Specifications:

- » Depth: 21".
- » There are no shelves in these cabinets.
- » All six drawers are fully functioning.
- » All styles have two standard drawers on top and four deep drawers below.
- » Butt doors on both vanity combinations.
- » For SKU ordering info see page 100

ASP	BC	HS	MO	NG	PS	WPG	WS	MBS	FS	CS
N/A	N/A	N/A	N/A	N/A	N/A	N/A	◆	N/A	N/A	N/A



Picture Left:
All ADA approved height cabinets available in White Shaker and Platinum Shaker.

TOUCH-UP KITS

SKU: TUK

Included In Kit:

- » One Wax Putty Stick
- » One Touch-Up Marker
- » For SKU ordering info see page 96

ASP	BC	HS	MO	NG	PS	WPG	WS	MBS	FS	CS
◆	◆	◆	◆	◆	◆	◆	◆	◆	◆	◆



Miscellaneous

DISPLAY/SAMPLE DOORS

SKU: DD



ASP



BC



HS



MO



NG



PS



WPG



WS



MBS



FS



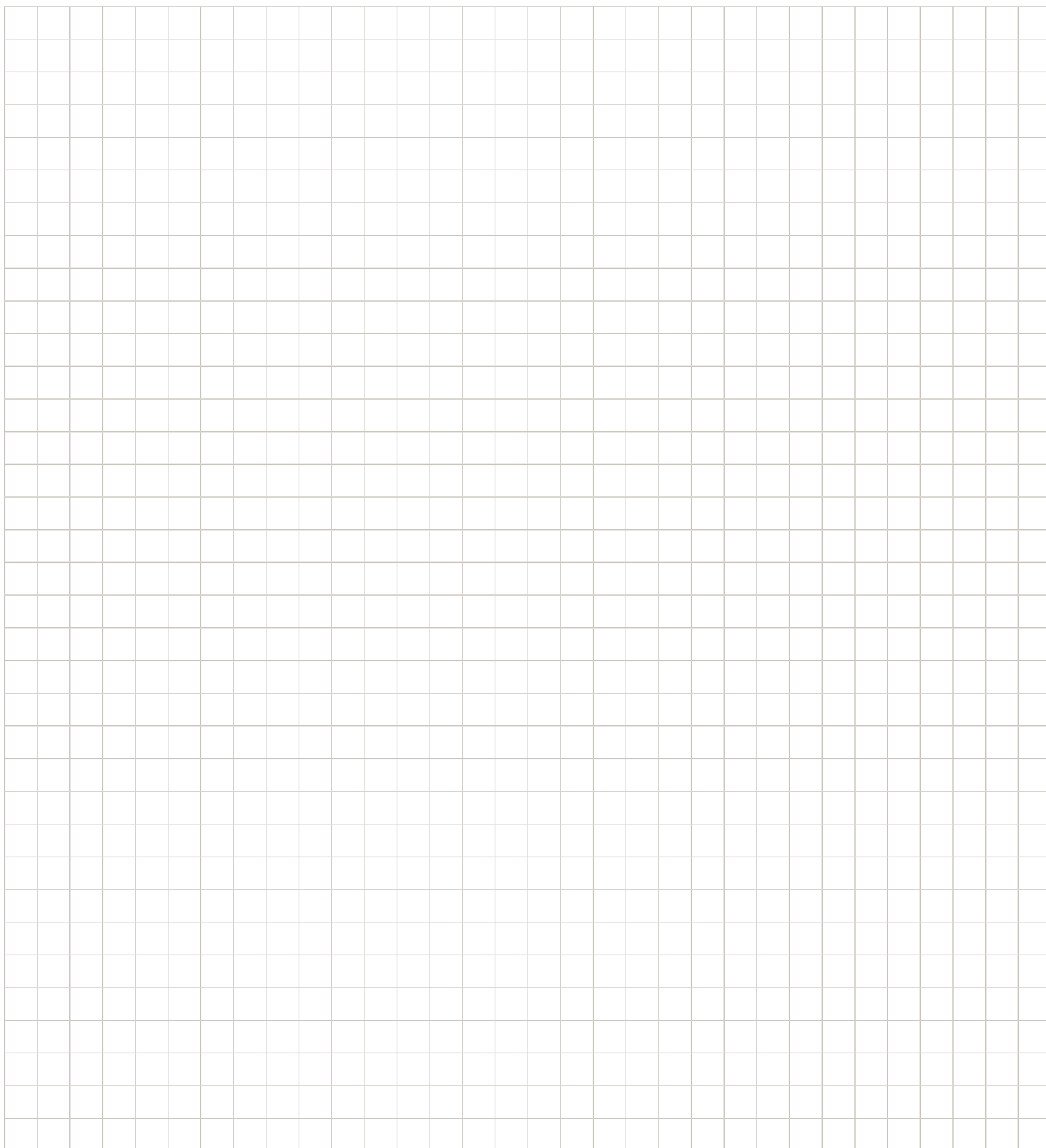
CS

COLOR KEY

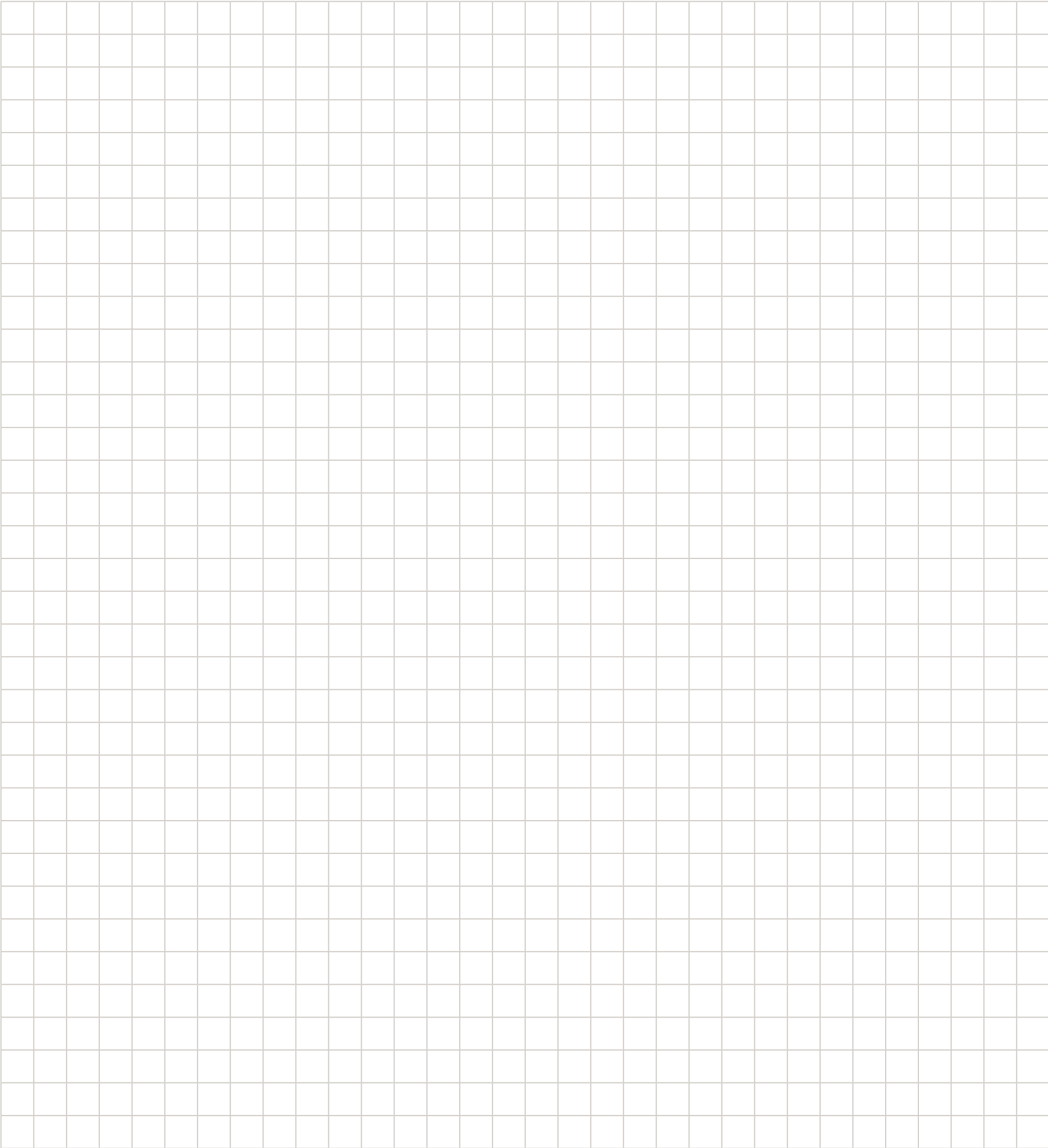
Aspen White	= ASP	Bristol Chocolate	= BC	Hickory Shaker	= HS
Glazed Mocha	= MO	Winchester Grey	= NG	Platinum Shaker	= PS
West Point Grey	= WPG	White Shaker	= WS	Midnight Black Shaker	= MBS
Fresh Sage	= FS	Carmel Shaker	= CS		

* ALL ARE UPGRADEABLE TO SOFT CLOSE *

Notes :

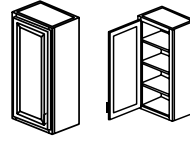


Notes :



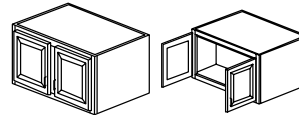
Index

Single Door Wall Cabinets



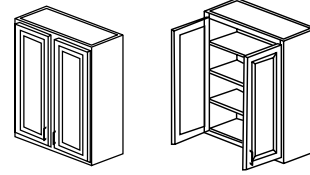
		ASP	BC	HS	MO	NG	PS	WPG	WS	MBS	FS	CS
W0930	9 x 30											
W0936	9 x 36											
W0942	9 x 42											
W1230	12 x 30											
W1236	12 x 36											
W1242	12 x 42											
W1530	15 x 30											
W1536	15 x 36											
W1542	15 x 42											
W1830	18 x 30 ⁷											
W1836	18 x 36											
W1842	18 x 42											
W2130	21 x 30											
W2136	21 x 36											
W2142	21 x 42											

Refrigerator Wall Cabinets



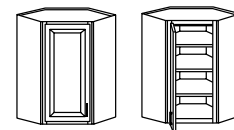
		ASP	BC	HS	MO	NG	PS	WPG	WS	MBS	FS	CS
WR3315	33 x 15											
WR3324	33 x 24											
WR3612	36 x 12											
WR3615	36 x 15											
WR3618	36 x 18											
WR3621	36 x 21											
WR3624	36 x 24											

Double Doors Wall Cabinets



		ASP	BC	HS	MO	NG	PS	WPG	WS	MBS	FS	CS
W2430	24 x 30											
W2436	24 x 36											
W2442	24 x 42											
W2730	27 x 30											
W2736	27 x 36											
W2742	27 x 42											
W3030	30 x 30											
W3036	30 x 36											
W3042	30 x 42											
W3330	33 x 30											
W3336	33 x 36											
W3342	33 x 42											
W3630	36 x 30											
W3636	36 x 36											
W3642	36 x 42											
W3930	39 x 30											
W3936	39 x 36											
W3942	39 x 42											
W4230	42 x 30											
W4236	42 x 36 ⁷											
W4242	42 x 42											

Diagonal Corner Wall Cabinets



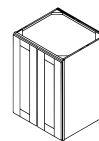
		ASP	BC	HS	MO	NG	PS	WPG	WS	MBS	FS	CS
WDC2430	24 x 30											
WDC2436	24 x 36											
WDC2442	24 x 42											

With Plain Glass (PG) or Beveled Glass (BG)

		ASP	BC	HS	MO	NG	PS	WPG	WS	MBS	FS	CS
WDC42PG	24 x 42											
WDC42BG	24 x 42											

Index

24" Deep Double Door Wall Cabinets

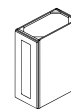


Page 25

		ASP	BC	HS	MO	NG	PS	WPG	WS	MBS	FS	CS
W243024	24 x 30											
W243624	24 x 36											
W244224	24 x 42											
W303024	30 x 30											
W303624	30 x 36											
W304224	30 x 42											
W363024	36 x 30											
W363624	36 x 36											
W364224	36 x 42											

*Top cabinet for split pantries requires tall skin to cover seam

24" Deep Single Door Wall Cabinets

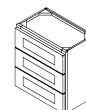


Page 25

		ASP	BC	HS	MO	NG	PS	WPG	WS	MBS	FS	CS
W183024	24 x 30											
W183624	24 x 36											
W184224	24 x 42											

*Top cabinet for split pantries requires tall skin to cover seam

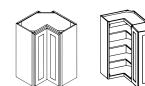
Three Drawer Wall Cabinets



Page 26

		ASP	BC	HS	MO	NG	PS	WPG	WS	MBS	FS	CS
W3DR18	18 x 18											
W3DR24	18 x 24											

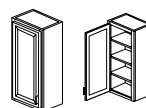
Easy Reach Wall Cabinets



Page 26

		ASP	BC	HS	MO	NG	PS	WPG	WS	MBS	FS	CS
WER2430	24 x 30											
WER2436	24 x 36											
WER2442	24 x 42											

Blind Corner Wall Cabinets



Page 27

		ASP	BC	HS	MO	NG	PS	WPG	WS	MBS	FS	CS
WBC2730	27 x 30											
WBC2736	27 x 36											
WBC2742	27 x 42											

Index

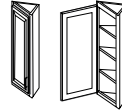
18" High Single Door Wall Cabinets



Page 27

		ASP	BC	HS	MO	NG	PS	WPG	WS	MBS	FS	CS
W1218	12 x 18											
W1518	15 x 18											
W1818	18 x 18											

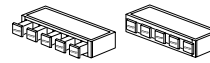
Angled End Wall Cabinets



Page 28

		ASP	BC	HS	MO	NG	PS	WPG	WS	MBS	FS	CS
WCA1230	12 x 30											
WCA1236	12 x 36											
WCA1242	12 x 42											

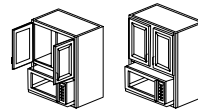
Spice Drawers Wall Cabinet



Page 29

		ASP	BC	HS	MO	NG	PS	WPG	WS	MBS	FS	CS
WSC30	6 x 30											

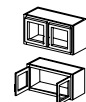
Microwave Wall Cabinets



Page 29

		ASP	BC	HS	MO	NG	PS	WPG	WS	MBS	FS	CS
MW3030	30 x 30											
MW3036	30 x 36											
MW3042	30 x 42											

Double Decorative Stacker Wall Cabinets



Page 31

With Beveled Glass (BG)

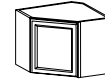
		ASP	BC	HS	MO	NG	PS	WPG	WS	MBS	FS	CS
W2412BG	24 x 12											
W2712BG	27 x 12											
W3012BG	30 x 12											
W3312BG	33 x 12											
W3612BG	36 x 12											

With Plain Glass (PG)

		ASP	BC	HS	MO	MO	PS	WPG	WS	MBS	FS	CS
W2412PG	24 x 12											
W2712PG	27 x 12 ⁴											
W3012PG	30 x 12											
W3312PG	33 x 12 ³											
W3612PG	36 x 12											

Index

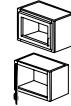
Dble Door Stacker Wall Diagonal Cabinet



Page 30

		ASP	BC	HS	MO	NG	PS	WPG	WS	MBS	FS	CS
DDSWDC2412	24 x 12											

Single Decorative Stacker Wall Cabinets



Page 32

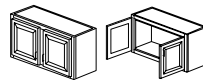
With Beveled Glass (BG)

		ASP	BC	HS	MO	NG	PS	WPG	WS	MBS	FS	CS
W1212BG	12 x 12											
W1512BG	15 x 12											
W1812BG	18 x 12											
W2112BG	21 x 12											

With Plain Glass (PG)

		ASP	BC	HS	MO	NG	PS	WPG	WS	MBS	FS	CS
W1212PG	12 x 12											
W1512PG	15 x 12											
W1812PG	18 x 12											
W2112PG	21 x 12											

Bridge Wall Cabinets

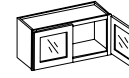


Page 33

		ASP	BC	HS	MO	NG	PS	WPG	WS	MBS	FS	CS
W3012	30 x 12											
W3312	33 x 12											
W3612	36 x 12											
W3015	30 x 15											
W3315	33 x 15											
W3615	36 x 15											
W3018	30 x 18											
W3318	33 x 18											
W3618	36 x 18											
W3021	30 x 21											
W3321	33 x 21											
W3621	36 x 21											
W3024	30 x 24											
W3324	33 x 24											
W3624	36 x 24											

Index

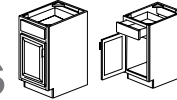
Dble Door Stacker Wall Oven Cabinet



Page 30

		ASP	BC	HS	MO	NG	PS	WPG	WS	MBS	FS	CS
DDSWOC3312	33 x 12											

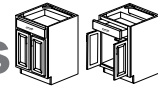
Sngl Door & Drawer Base Cabinets



Page 35

		ASP	BC	HS	MO	NG	PS	WPG	WS	MBS	FS	CS
B12	12"											
B15	15"											
B18	18"											
B21	21"											

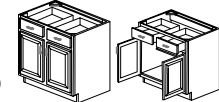
Dble Doors & Sngl Drawer Base Cabinets



Page 35

		ASP	BC	HS	MO	NG	PS	WPG	WS	MBS	FS	CS
B24	24"											
B27	27"											

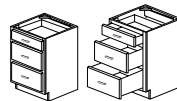
Dble Doors & Drawers Base Cabinets



Page 36

		ASP	BC	HS	MO	NG	PS	WPG	WS	MBS	FS	CS
B30	30"											
B33	33"											
B36	36"											
B39	39"											
B42	42"											
B48	48"											

Drawer Base Cabinets



Page 36

		ASP	BC	HS	MO	NG	PS	WPG	WS	MBS	FS	CS
DB12	12"29											
DB15	15"											
DB18	18"											
DB21	21"											
DB24	24"											
DB30	30"											
DB36	36"											

Index

Sngl Door Full Height Cabinet Base



Page 36

		ASP	BC	HS	MO	NG	PS	WPG	WS	MBS	FS	CS
FHB12	12											
FHB15	15"											
FHB18	18"											
FHB21	21"											

Dble Door Full Height Cabinet Base



Page 36

		ASP	BC	HS	MO	NG	PS	WPG	WS	MBS	FS	CS
FHB24	24"											
FHB27	27"											
FHB30	30"											
FHB33	33"											
FHB36	36"											
FHB39	39"											
FHB42	42"											
FHB48	48"											

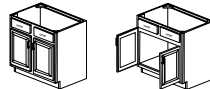
Farm Sink Base Cabinet



Page 37

		ASP	BC	HS	MO	NG	PS	WPG	WS	MBS	FS	CS
FSB36	36"											

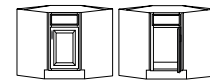
Sink Base Cabinet



Page 37

		ASP	BC	HS	MO	NG	PS	WPG	WS	MBS	FS	CS
SB33	33"											
SB36	36"											

Diagonal Corner Sink Base Cabinet



Page 38

		ASP	BC	HS	MO	NG	PS	WPG	WS	MBS	FS	CS
DCSB36	36"											

Single Door Utility Base Cabinet



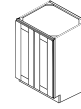
Page 39

		ASP	BC	HS	MO	NG	PS	WPG	WS	MBS	FS	CS
UCB1854	18 x 54											

* Bottom cabinet for split pantries requires tall skin to cover seam *

Index

Double Door Utility Base Cabinet

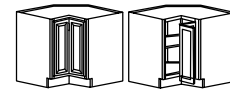


Page 39

		ASP	BC	HS	MO	NG	PS	WPG	WS	MBS	FS	CS
UCB2454	24 x 54											
UCB3054	30 x 54											
UCB3654	36 x 54											

* Bottom cabinet for split pantries requires tall skin to cover seam *

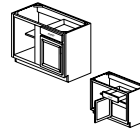
Lazy Susan Corner Base Cabinet



Page 39

		ASP	BC	HS	MO	NG	PS	WPG	WS	MBS	FS	CS
LS3312	33"											
LS3612	36"											

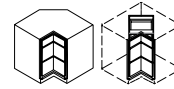
Blind Corner Base Cabinet



Page 39

		ASP	BC	HS	MO	NG	PS	WPG	WS	MBS	FS	CS
BBC36	36"											

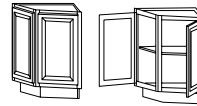
Corner Drawers Base Cabinets



Page 40

		ASP	BC	HS	MO	NG	PS	WPG	WS	MBS	FS	CS
CDB36	36" ⁶											

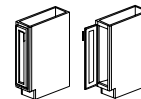
Angled End Base Cabinets



Page 41

		ASP	BC	HS	MO	NG	PS	WPG	WS	MBS	FS	CS
BA24	24" ⁸											

Full Height / Tray Base Cabinets



Page 41

		ASP	BC	HS	MO	NG	PS	WPG	WS	MBS	FS	CS
TB09	9" ¹											

Spice Drawers Base Cabinets

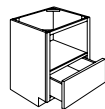


Page 42

		ASP	BC	HS	MO	NG	PS	WPG	WS	MBS	FS	CS
BSD6	6"											

Index

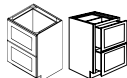
Base Microwave Cabinet



Page 45

		ASP	BC	HS	MO	NG	PS	WPG	WS	MBS	FS	CS
BMC27	27"											
BMC30	30"											

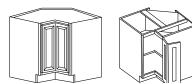
2 Drawer Base Cabinet



Page 43

		ASP	BC	HS	MO	NG	PS	WPG	WS	MBS	FS	CS
2DB24	24"											
2DB27	27"											
2DB30	30"											
2DB33	33"											
2DB36	36"											

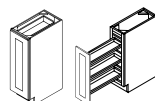
Easy Reach Base Cabinet



Page 43

		ASP	BC	HS	MO	NG	PS	WPG	WS	MBS	FS	CS
BER33	33"											
BER36	36"											

Spice Rack Base Cabinet



Page 44

		ASP	BC	HS	MO	NG	PS	WPG	WS	MBS	FS	CS
BSR9	9"											
BSR12	12"											

18" Wide Utility Cabinets



Page 47

		ASP	BC	CH	MO	NG	PS	WPG	WS	MBS	FS	CS
UC1884	18 x 84											
UC1890	18 x 90											
UC1896	18 x 96											

24" Wide Utility Cabinets

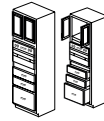


Page 47

		ASP	BC	HS	MO	NG	PS	WPG	WS	MBS	FS	CS
UC2484	24 x 84											
UC2490	24 x 90											
UC2496	24 x 96											

Index

Universal Oven Cabinets



Page 48

		ASP	BC	HS	MO	NG	PS	WPG	WS	MBS	FS	CS
UOC3384	33 x 84											
UOC3390	33 x 90											
UOC3396	33 x 96											

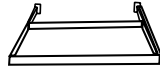
Wine Storage Cube



Page 49

		ASP	BC	HS	MO	NG	PS	WPG	WS	MBS	FS	CS
WSC1515	15 x 15											
WSC1818	18 x 18											

Roll Out Trays



Page 51

		ASP	BC	HS	MO	NG	PS	WPG	WS	MBS	FS	CS	UNV
ROT15	15"												
ROT18	18"												
ROT21	21"												
ROT24	24"												
ROT27	27"												
ROT30	30"												
ROT33	33"												
ROT36	36"												

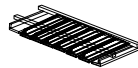
Lattice Wine Racks



Page 49

		ASP	BC	HS	MO	NG	PS	WPG	WS	MBS	FS	CS
LWR3015	30 x 15											

Stem Glass Holders



Page 50

		ASP	BC	HS	MO	NG	PS	WPG	WS	MBS	FS	CS
SGH30	12 x 30											

Lazy Susan Baskets



Wood Basket

Plastic Basket

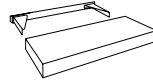
Wire Frame Basket

		ASP	BC	HS	MO	NG	PS	WPG	WS	MBS	FS	CS
LS-1-36	Metal											
LS-2-POLY	White											
LS-3-WOOD	Natural											

* Baskets available for all Lazy Susan Cabinets regardless of Color *

Index

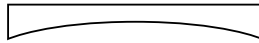
Finished Floating Shelf



Page 51

		ASP	BC	HS	MO	NG	PS	WPG	WS	MBS	FS	CS
FFS24	24"											
FFS30	30"											
FFS36	36"											
FFS42	42"											

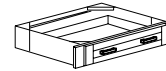
Arched Valances



Page 52

		ASP	BC	HS	MO	NG	PS	WPG	WS	MBS	FS	CS
VA48	48"											

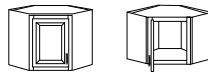
Under Counter Knee Drawers



Page 52

		ASP	BC	HS	MO	NG	PS	WPG	WS	MBS	FS	CS
UCD30	30"											
UCD36	36"											

Appliance Garages



Page 53

		ASP	BC	HS	MO	NG	PS	WPG	WS	MBS	FS	CS
AG2418	24 x 18											

Corbels



Page 53

		ASP	BC	HS	MO	NG	PS	WPG	WS	MBS	FS	CS
CBLPN2	small											
CBLPN3	large											

Plate Rack



Page 54

		ASP	BC	HS	MO	NG	PS	WPG	WS	MBS	FS	CS
PR3015	30 x 15											

Toilet Topper



Page 54

		ASP	BC	HS	MO	NG	PS	WPG	WS	MBS	FS	CS
TT2436	30 x 15											

